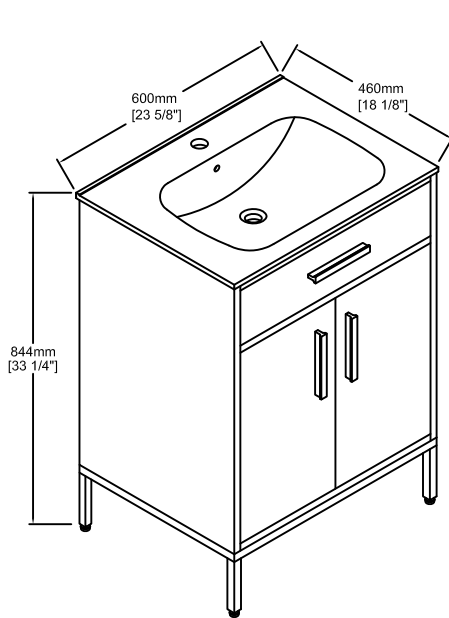
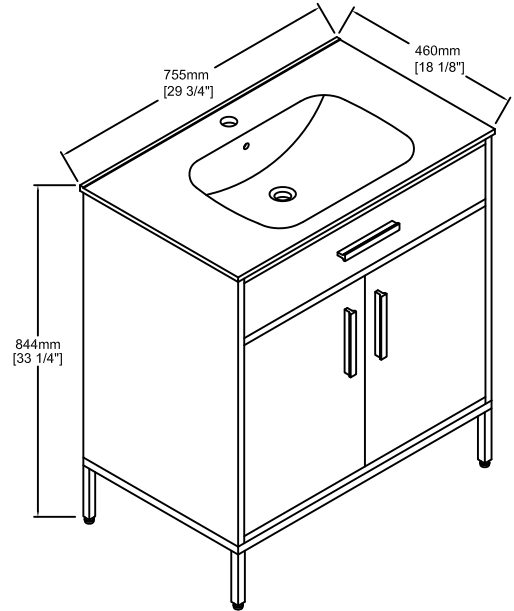




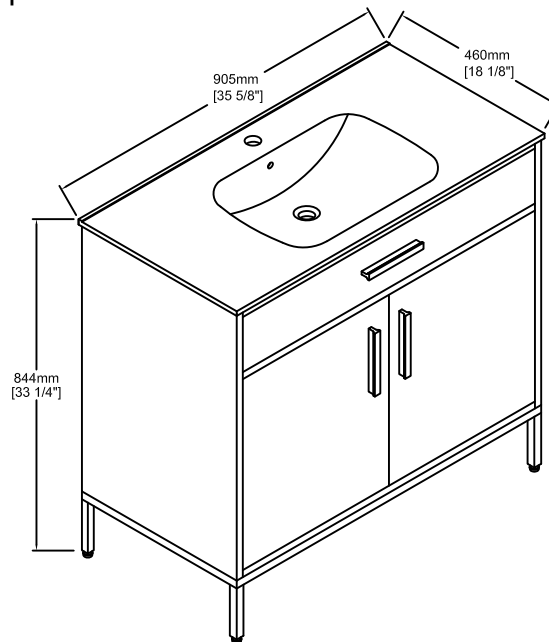
**BLOSSOM**<sup>®</sup>  
luxury made simple



V8048 24



V8048 30



V8048 36

[ **LISBON** ]  
Series Vanities

## Specification & Installation Guide

## Features

- Modern design with gloss white or melamine finishes.
- Soft-closing drawers.
- SMC basins.
- Compatible matching mirror, medicine cabinet, LED Mirror, or LED medicine cabinet.
- Easy installation.

## Package Dimension

**24"** 33-7/8" X 16-7/8" X 24-3/4"

**30"** 38-5/8" X 16-1/8" X 24-3/4"

**36"** 44-7/8" X 16-1/2" X 23-1/4"

## Colors / Finishes

- GLOSSY WHITE - 01
- BROWN WALNUT - 11
- CLASSIC OAK - 29

## Gross Weight

**24"** 78 LBS

**30"** 86 LBS

**36"** 100 LBS

## Sink Top Options

### Vanities

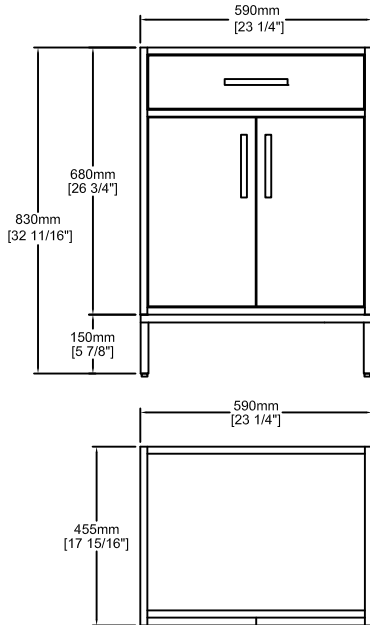
### SMC basin

**24"** V8048 - 24

**30"** V8048 - 30

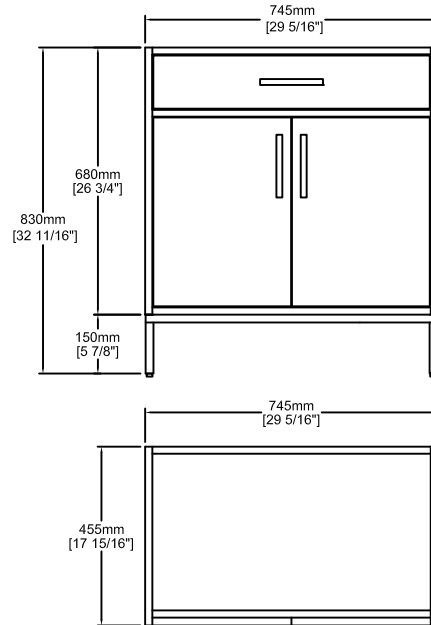
**36"** V8048 - 36

**24"** 23-1/4" x 17-15/16" x 32-11/16"



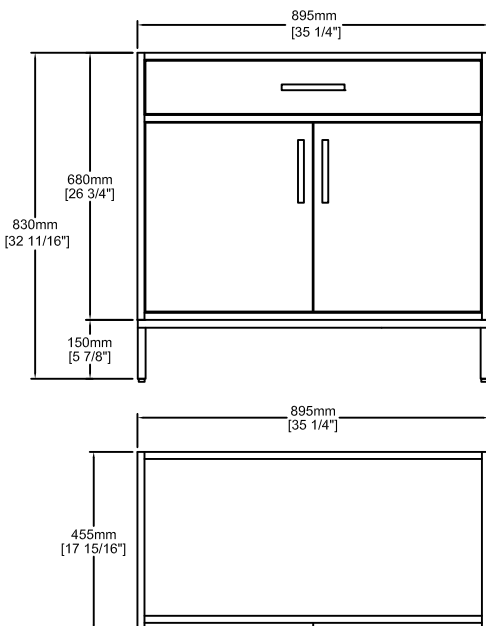
TOP VIEW

**30"** 29-5/16" x 17-15/16" x 32-11/16"



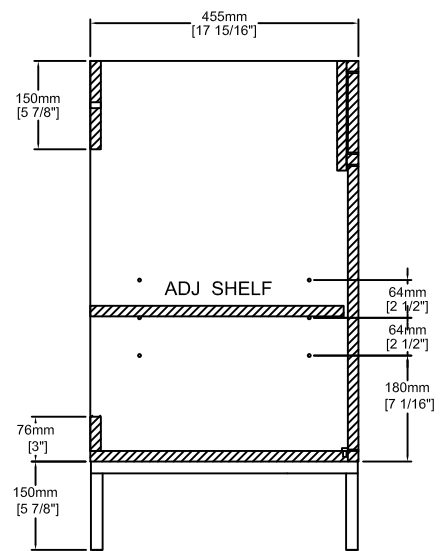
TOP VIEW

**36"** 35-1/4" x 17-15/16" x 32-11/16"


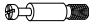






















TOP VIEW

**Side View**



SECTION VIEW

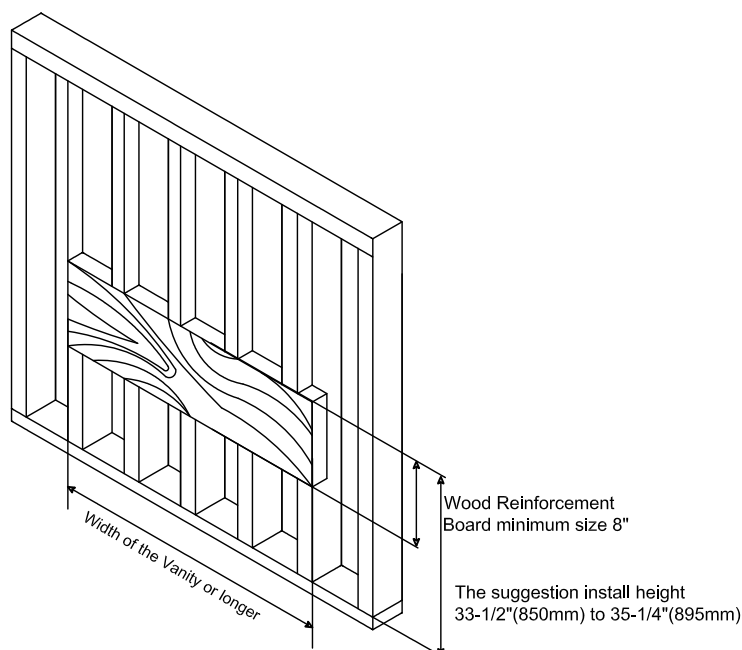
Hardware		
NO.	Draw	QTY
A	Screws Ø4x14mm 	36
B	Two-in-one connector 	17
C	Two-in-one connector 	17
D	Wood plug 	4
E	White rubber plug(Ø6mm) 	2
F	Screws(Ø4 x 68mm) 	2
G	Stainless steel cover 	2
H	Bracket (46x40x49mm) 	2
I	Bracket (19x19x35mm) 	2
J	Screws Ø3x14mm 	24
K	Hinges (Internal hiding) 	4

Hardware		
NO.	Draw	QTY
L	Handle 	3
M	Handle screws (M4x20mm) 	4
N	Handle screws (M4x35mm) 	2
O	Metal feet 	4
P	Screws (M4x12mm) 	16
Q	Left and Right metal sheet 	2
R	Front and Back metal sheet 	2
S	Movable laminate fittings 	4
T	Door stopper 	2
U	Anti-collision gasket 	2
V	Screwdriver 	1

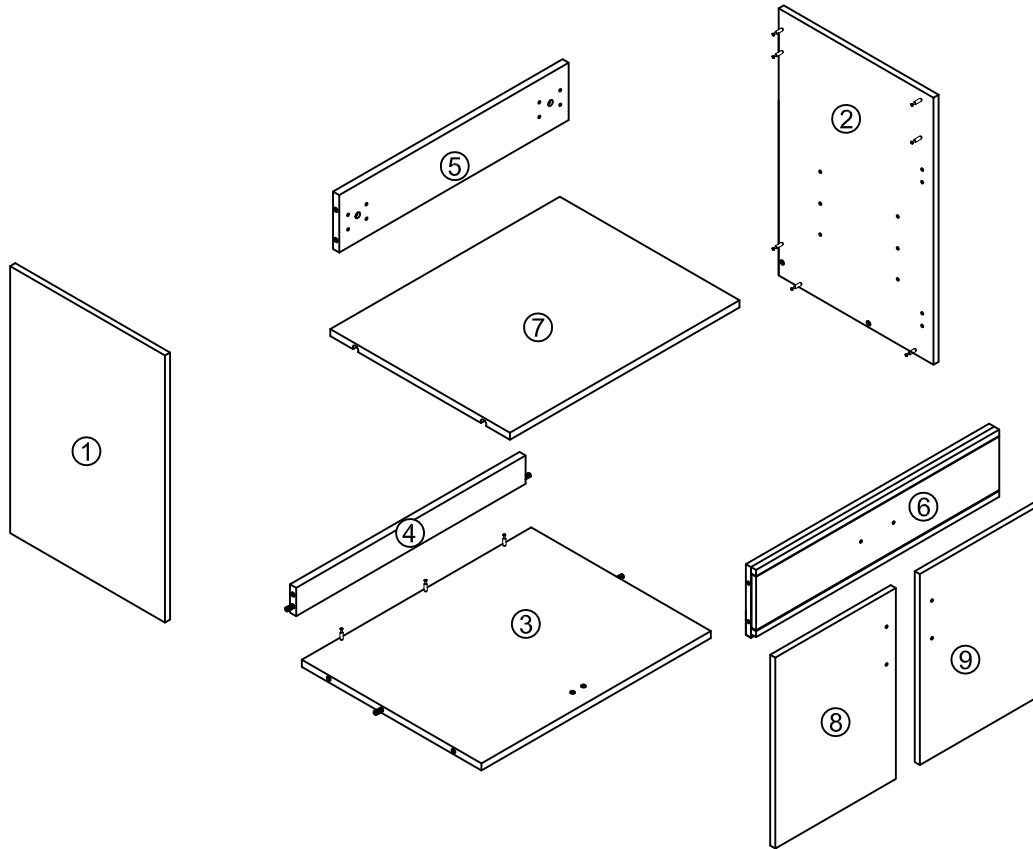
## Wall blocking is required for all installation

The suggested heights without the sink are 30-5/8" for Blossom Resin Basin, or 32-5/8" for Blossom Ceramic Basin.

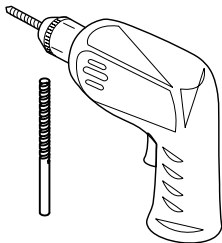
Depending on the sinks selected, the total height will vary from 33-1/2"(850mm) to 35-1/4"(895mm). If an alternate height desired, adjust the rough-in and backing material heights using the dimensions provided.



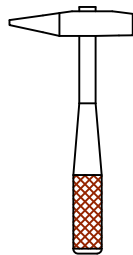
## Components



## Recommended tools You Will Need-Outils Requis



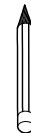
Power drill



Hammer



Silicone






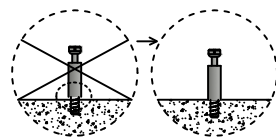
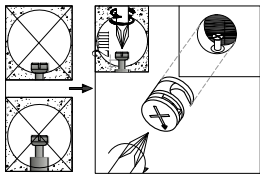
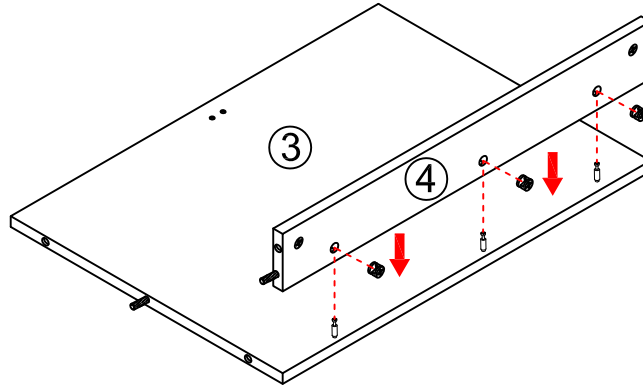
Pencil



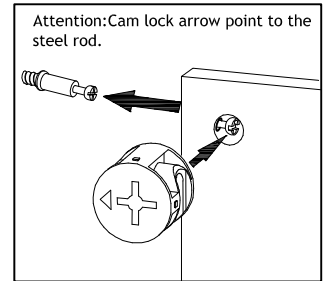
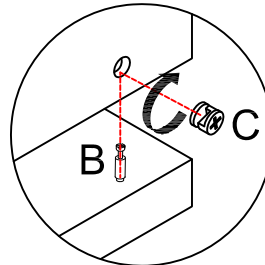
Screwdriver

**STEP 1**

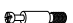



	x3
<b>B</b>	
	x3
<b>C</b>	
	
<b>V</b>	

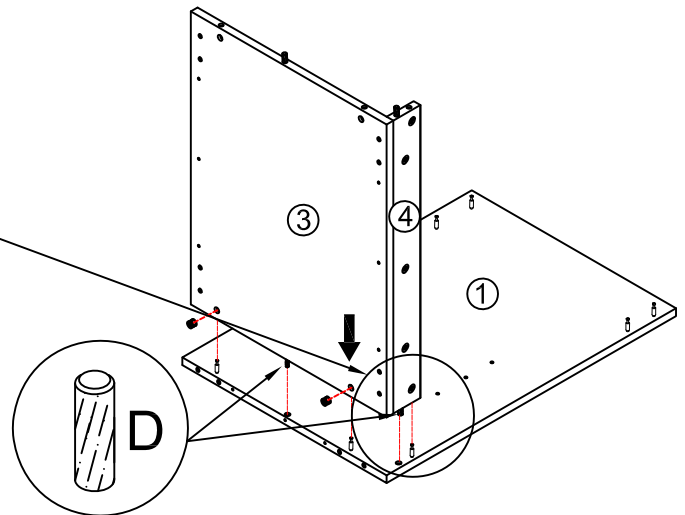
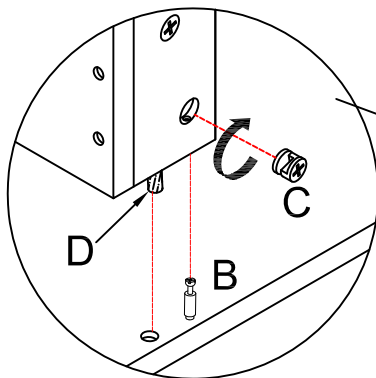


Notes: Screw installation depth as shown

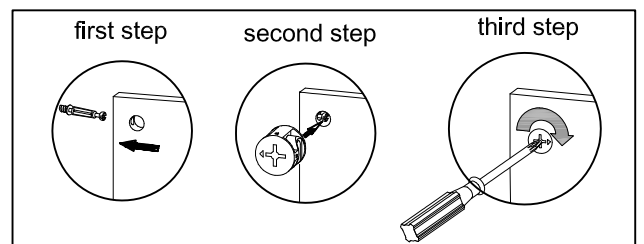
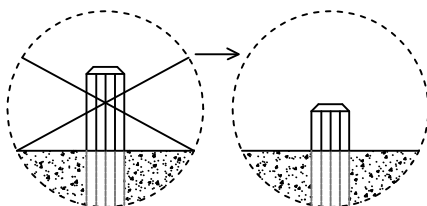


**STEP 2**

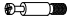


	x3
<b>B</b>	
	x3
<b>C</b>	
	x2
<b>D</b>	
	
<b>V</b>	

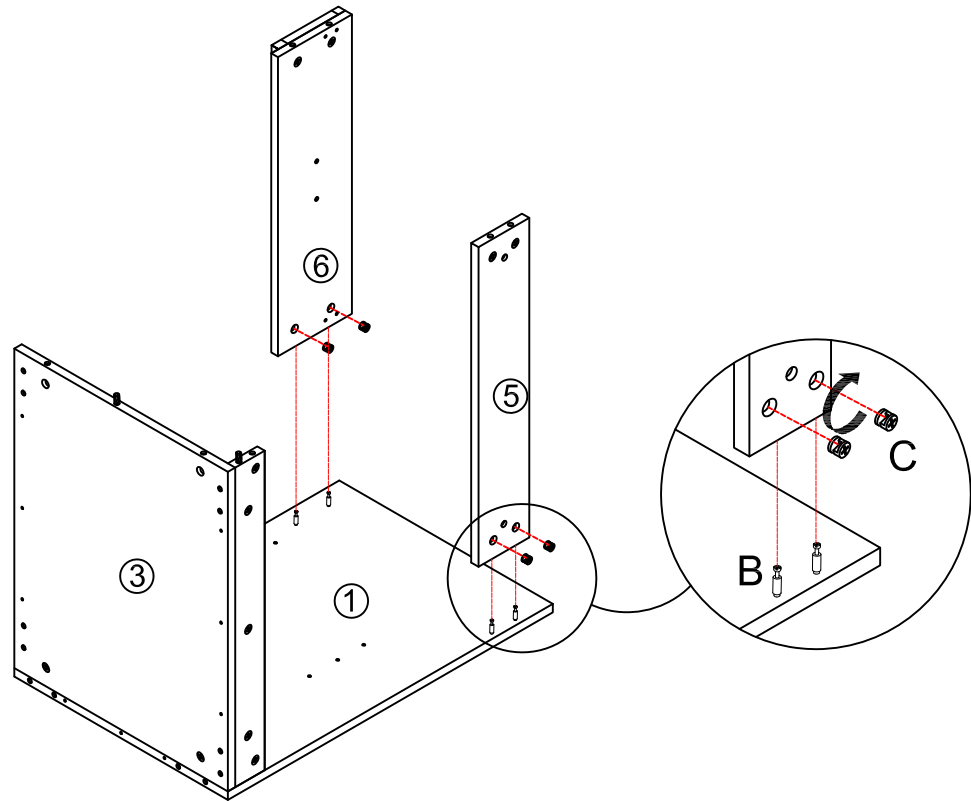


Note: The D parts are used for these two holes

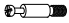





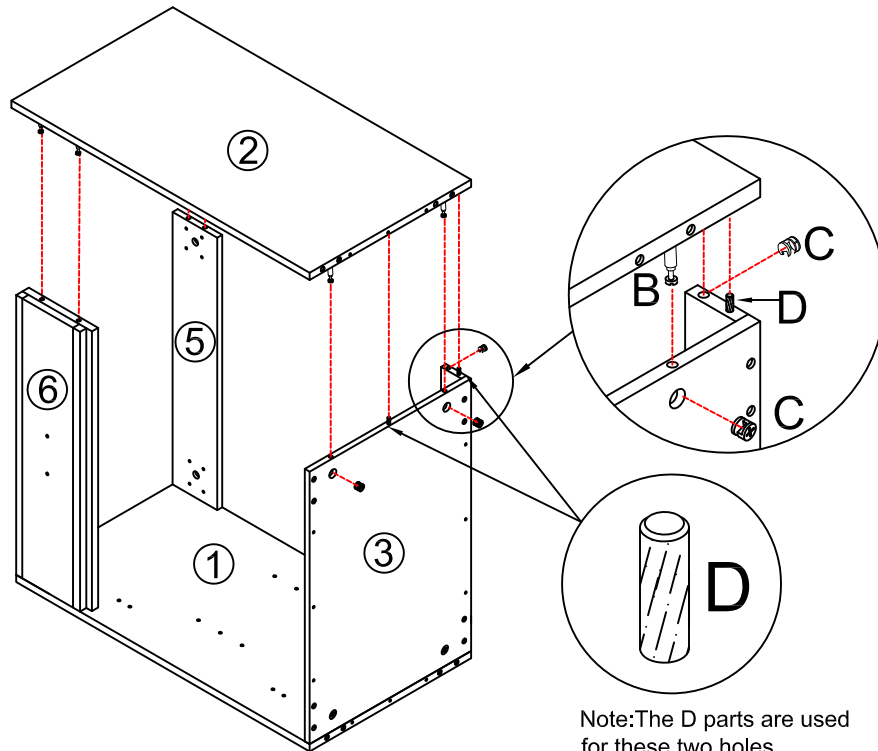
**STEP 3**

	x4
<b>B</b>	
	x4
<b>C</b>	
	
<b>V</b>	







**STEP 4**

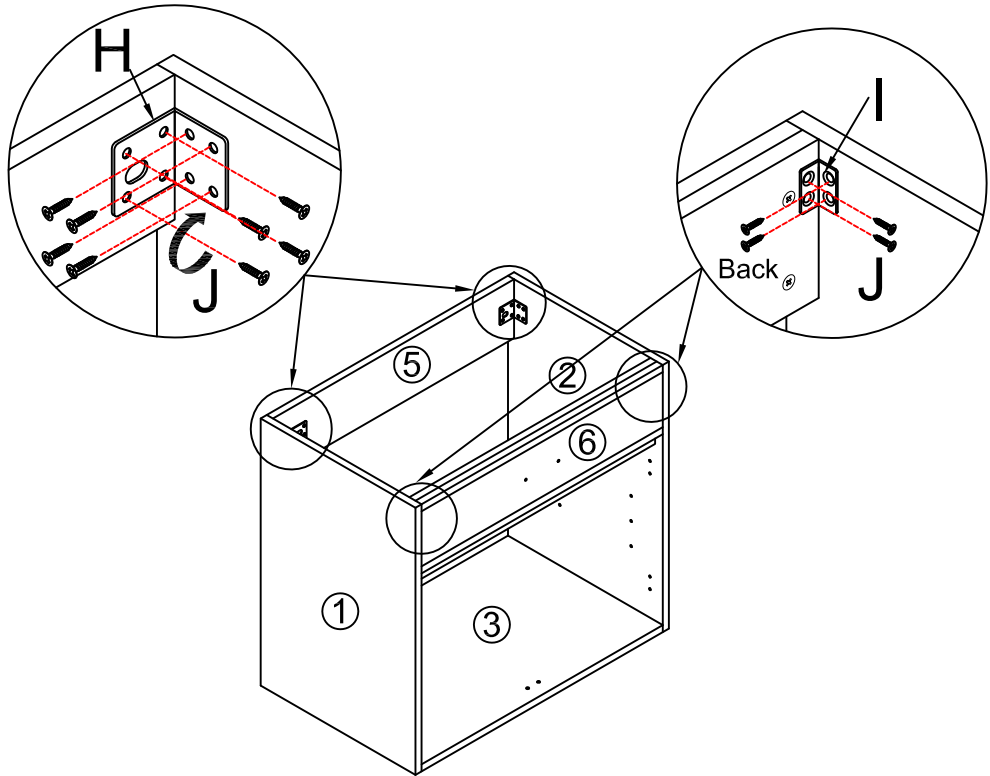
	x7
<b>B</b>	
	x7
<b>C</b>	
	x2
<b>D</b>	
	
<b>V</b>	






Note: The D parts are used for these two holes

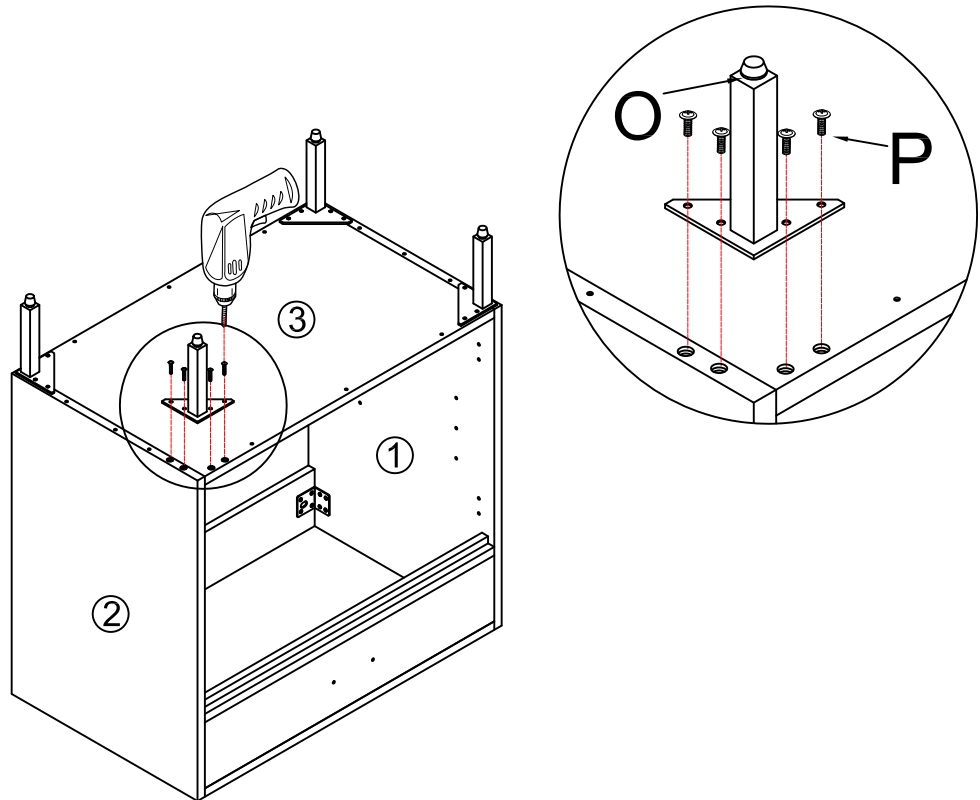
**STEP 5**

	x2
H	
	x2
I	
(Ø3 x 14mm)	
	x24
J	
	
Tool	






**STEP 6**

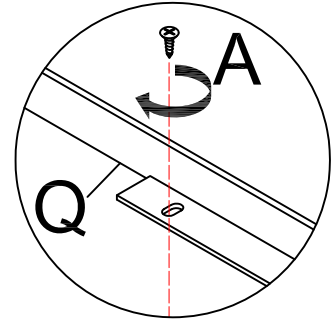
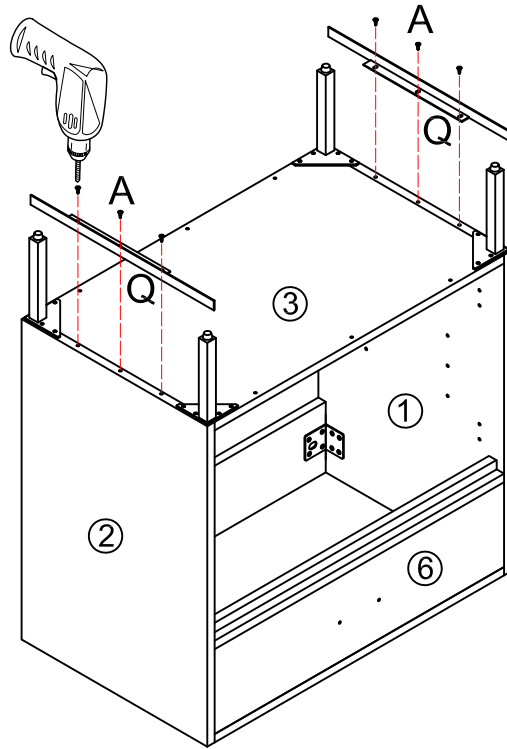
	x4
O	
(M4 x 12mm)	
	x16
P	
	
Tool	








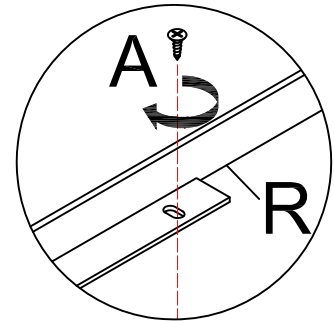
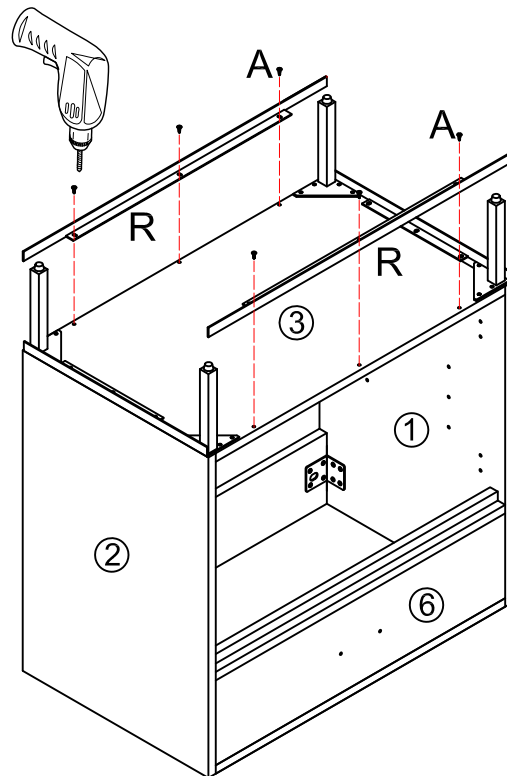
**STEP 7**

	x2
Q	
(∅4 x 14mm)	
	x6
A	
	
Tool	

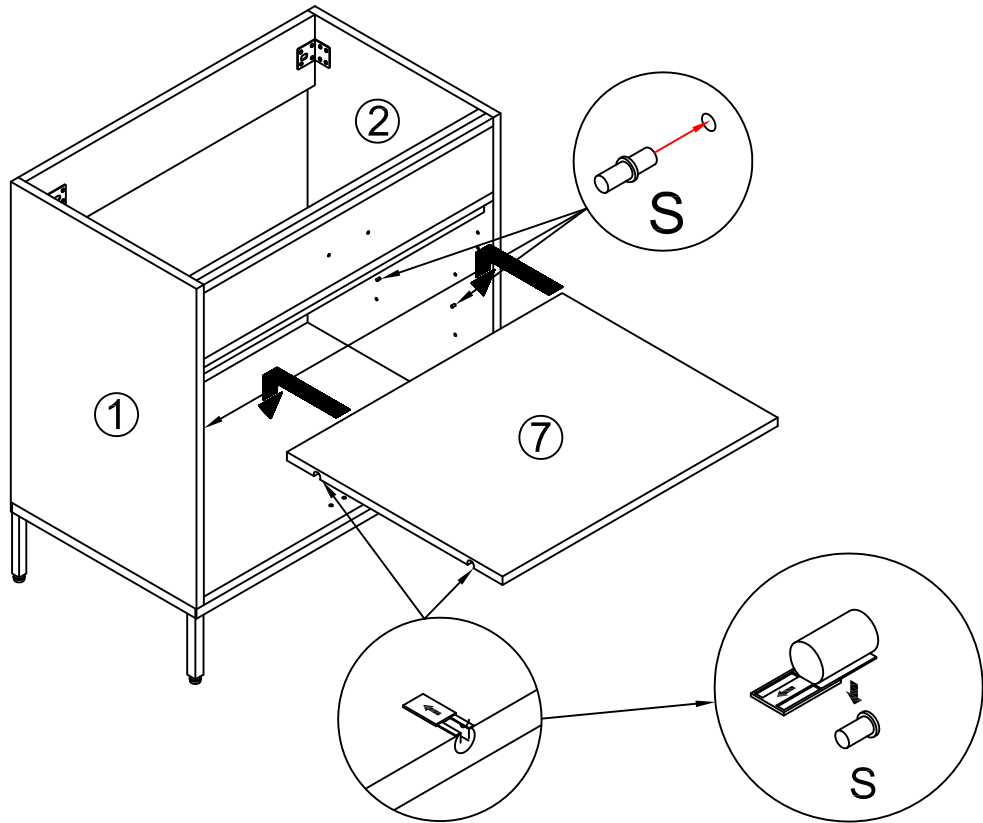
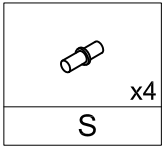


**STEP 8**

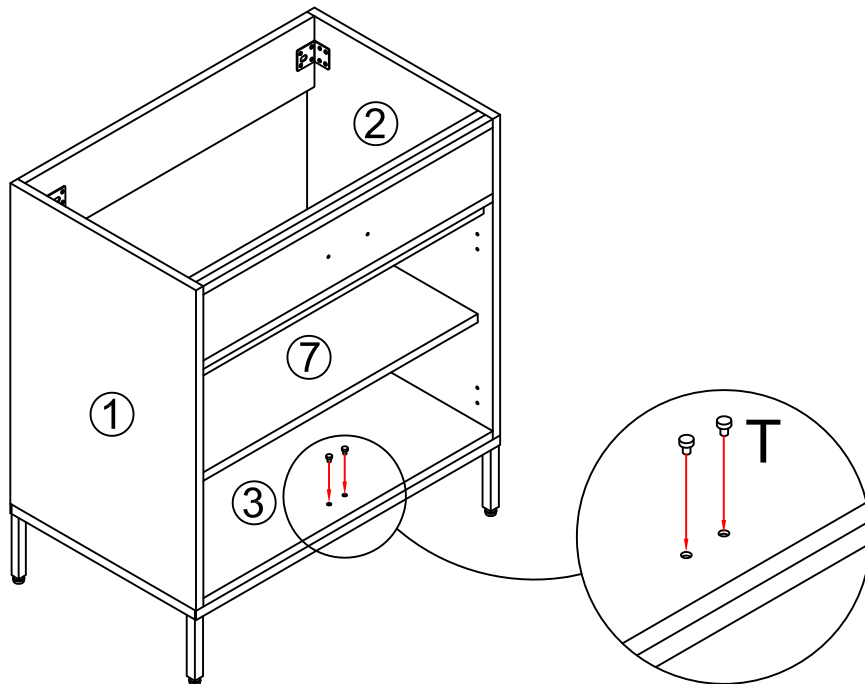
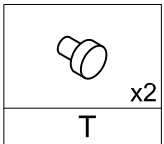
	x2
R	
(∅4 x 14mm)	
	x6
A	
	
Tool	






**STEP 9**

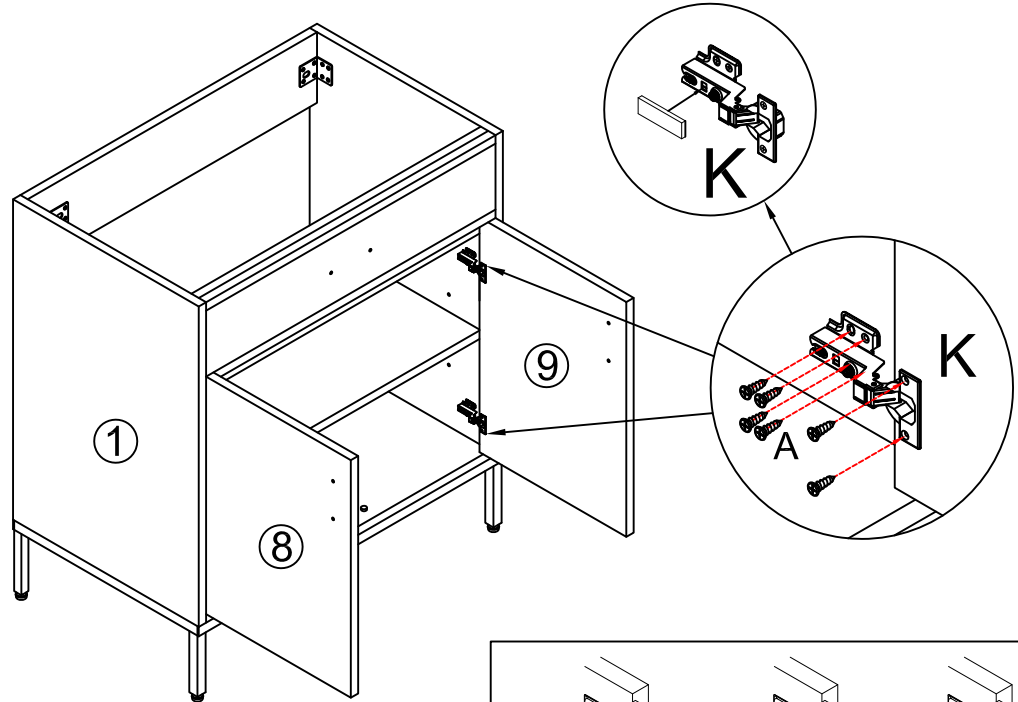


**STEP 10**

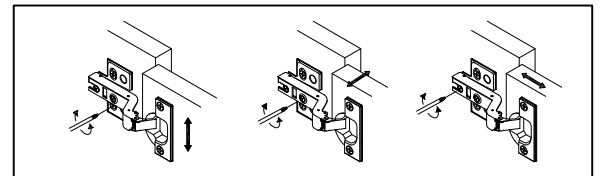


**STEP 11**





	x4
<b>K</b>	(Ø4 x 14mm)
	x24
<b>A</b>	
	
<b>Tool</b>	

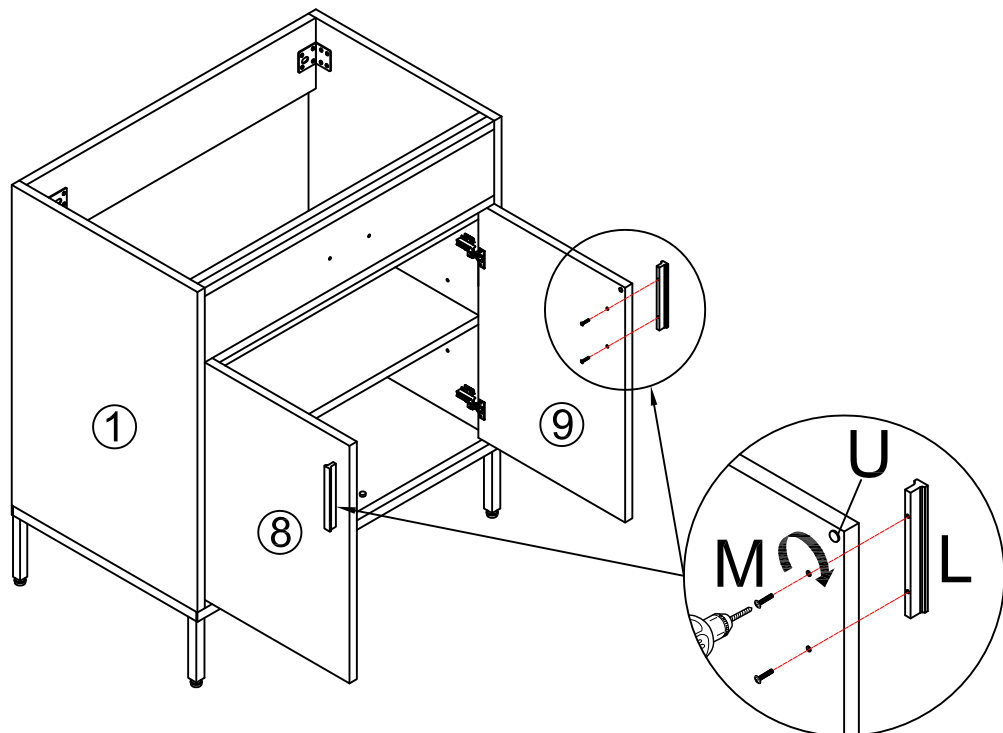


You can adjust the doors by tightening or loosening the screws on the hinge.






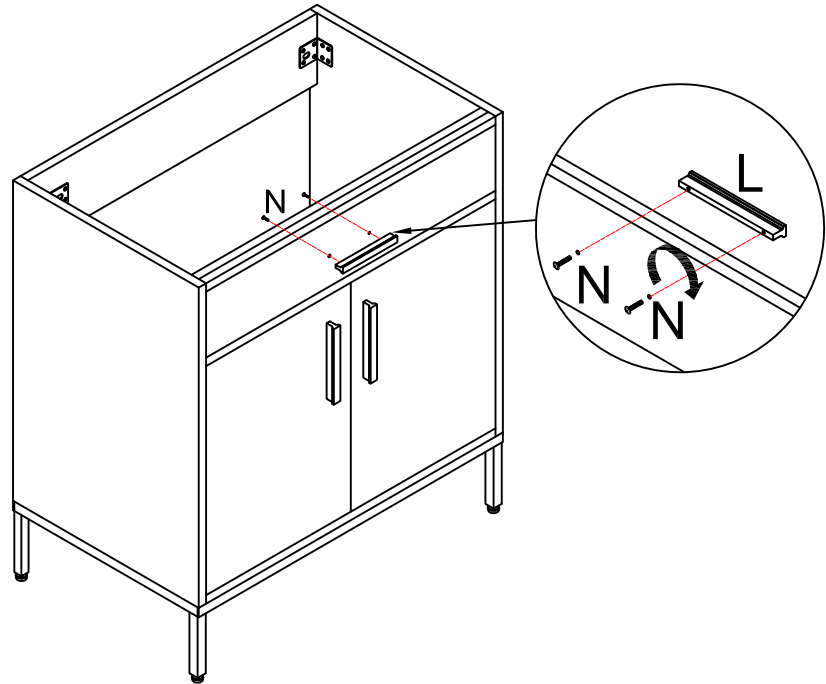
**STEP 12**

	x2
<b>L</b>	(M4 x 20mm)
	x4
<b>M</b>	
	x2
<b>U</b>	
	
<b>Tool</b>	



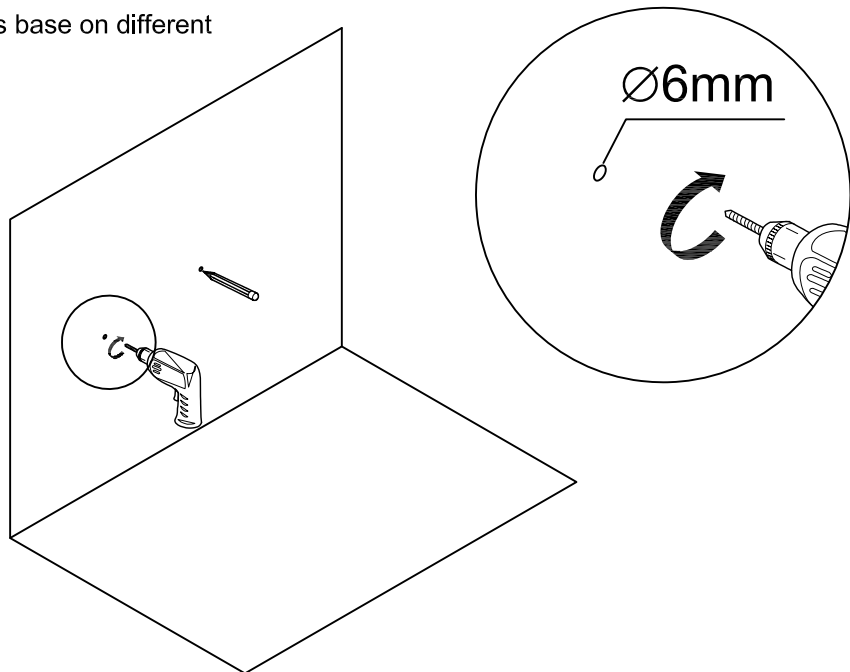
**STEP 13**

	x1
<b>L</b> (M4 x 35mm)	
	x2
<b>N</b>	
	
<b>Tool</b>	



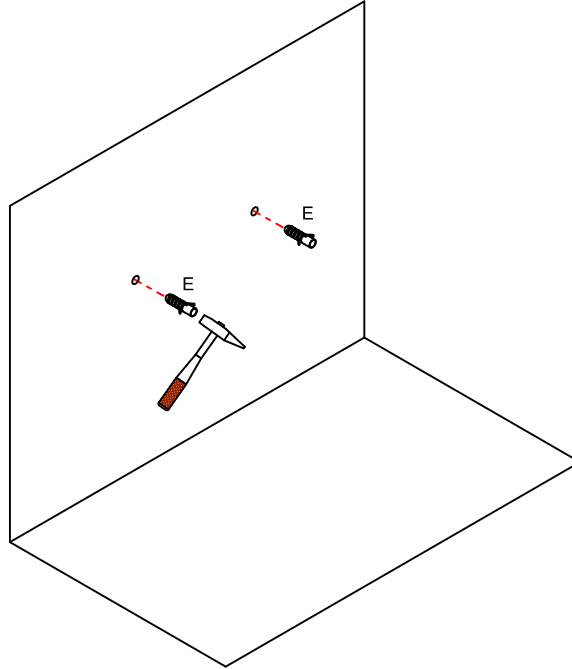
**STEP 14**

- Mark the pre-drilled holes with a pencil or marker after positioning the vanity.
- Drill the holes with suitable drill-bits base on different condition of the wall.



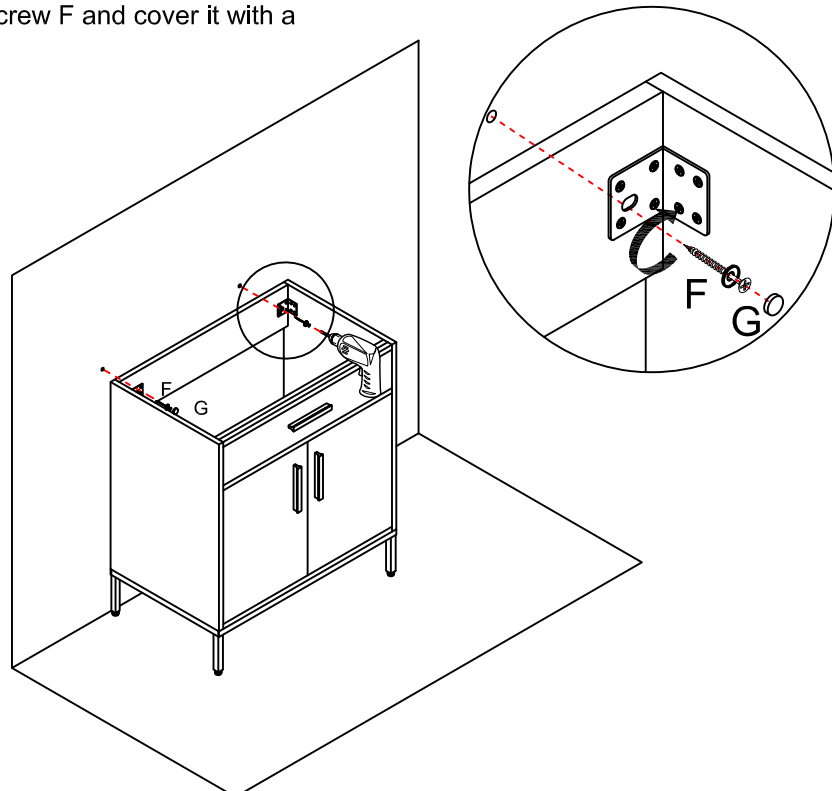
**STEP 15**

- White rubber plug for brick wall or concrete wall.



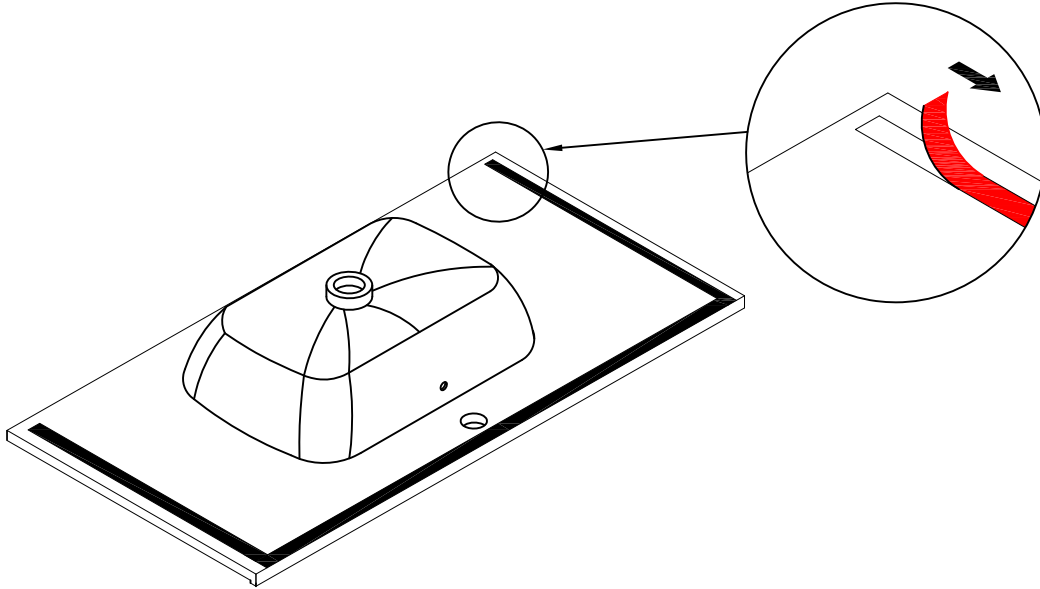
**STEP 16**

- Fix the cabinet to the wall with screw F and cover it with a stainless steel lid G.



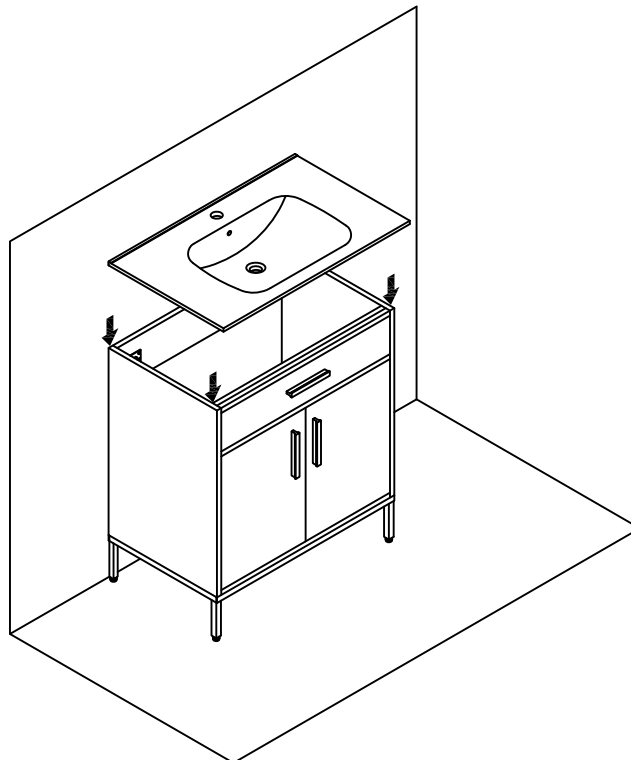
**STEP 17**

- Remove the protective surface of 3M tape from the basin bottom .



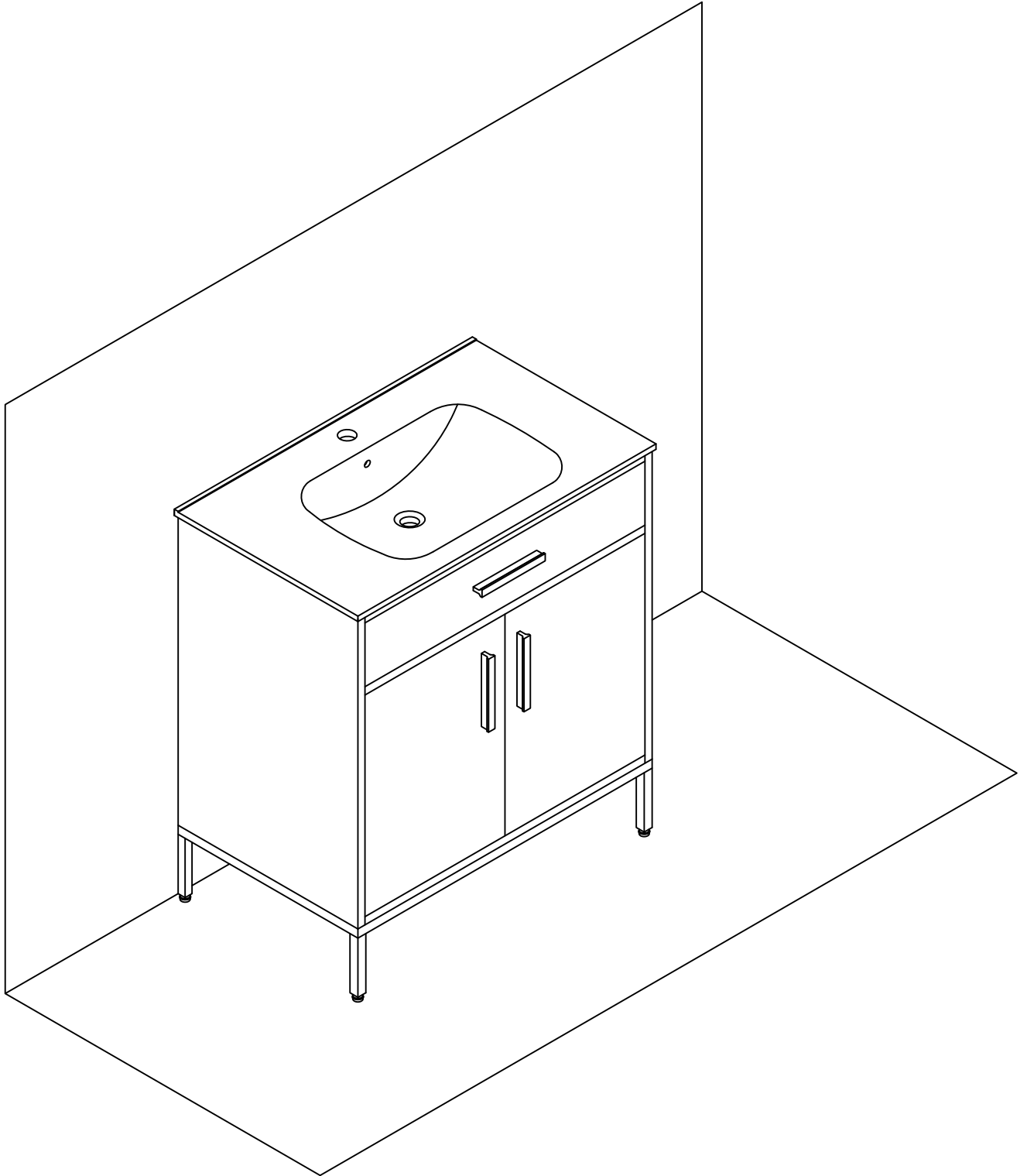
**STEP 18**

- Attach SMC basin to the cabinet.



**STEP 19**

- Installation complete.





Blossom Kitchen & Bath Supply Corporation  
(718)-366-0088 | [sales@BlossomUS.com](mailto:sales@BlossomUS.com) | [www.BlossomUS.com](http://www.BlossomUS.com)

---

For clarification, please contact us at (718)-366-0088 or [sales@BlossomUS.com](mailto:sales@BlossomUS.com)  
All dimensions are approximate and subject to standard tolerance. Specifications subject to change without prior notice.