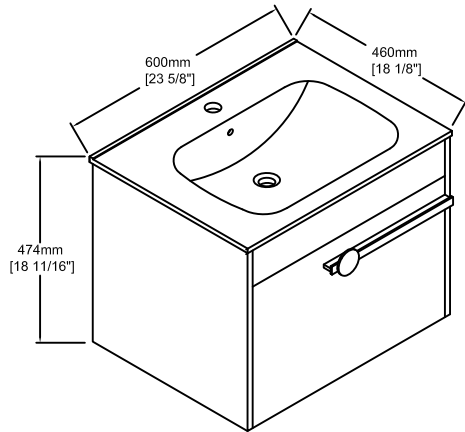
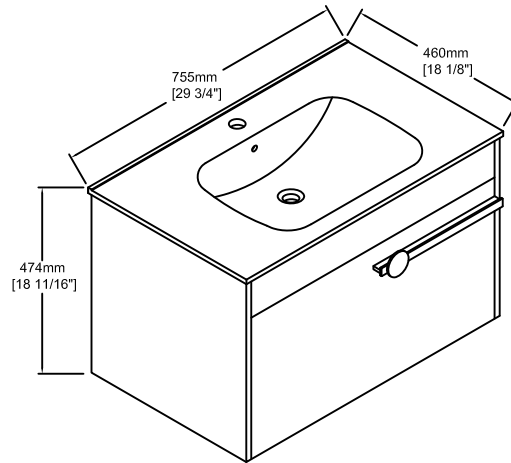




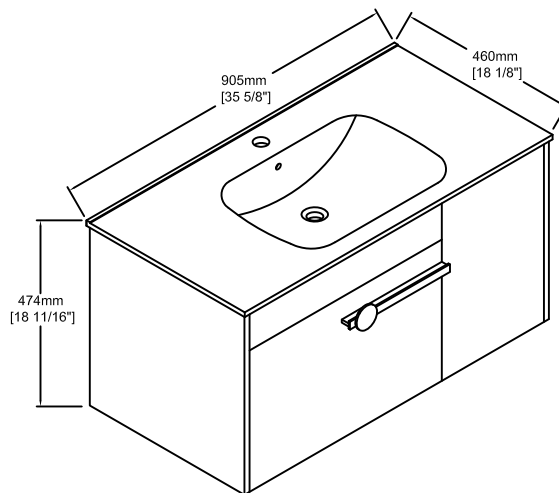
**BLOSSOM**<sup>®</sup>  
luxury made simple



V8046 24



V8046 30



V8046 36

[ **BILBAO** ]  
Series Vanities

## Specification & Installation Guide

## Features

- Modern design with melamine finishes.
- Push open doors & soft-closing drawers.
- SMC Basins.
- Compatible matching mirror, medicine cabinet, LED Mirror, or LED medicine cabinet.
- Easy installation.

## Package Dimension

**24"** 26-15/16" X 22-1/16" X 22-15/16"

**30"** 33-1/16" X 22-1/16" X 22-15/16"

**36"** 35-1/4"x 17-15/16"x 18-1/8"

## Colors / Finishes

CLASSIC OAK - 29

## Gross Weight

**24"** 67 LBS

**30"** 75 LBS

**36"** 81 LBS

## Sink Top Options

### Vanities

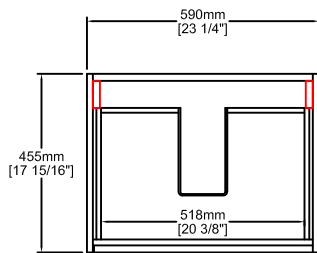
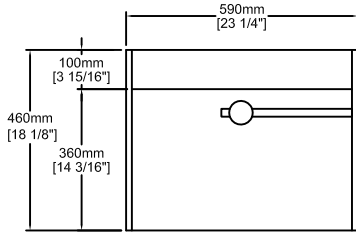
### SMC basin

**24"** V8046 - 24

**30"** V8046 - 30

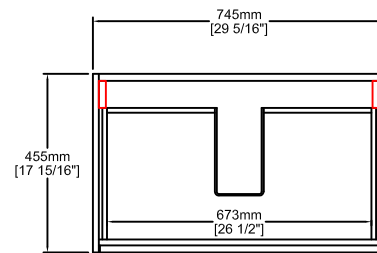
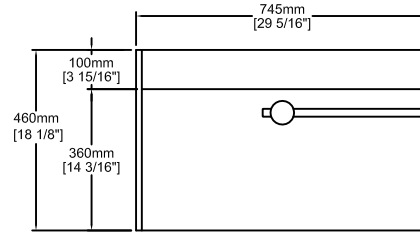
**36"** V8046 - 36

**24"** 23-1/4" x 17-15/16" x 18-1/8"



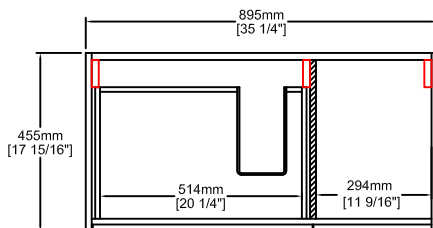
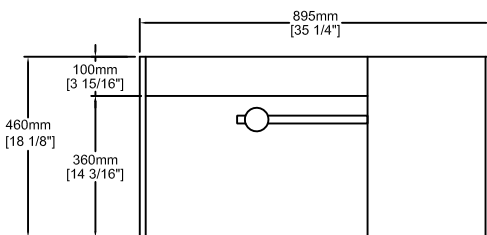
TOP VIEW

**30"** 29-5/16" x 17-15/16" x 18-1/8"



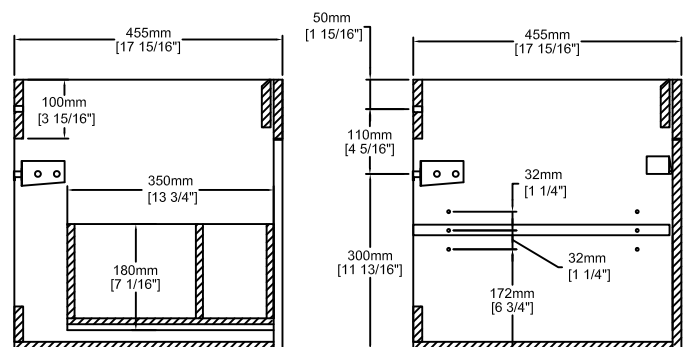
TOP VIEW

**36"** 35-1/4" x 17-15/16" x 18-1/8"

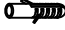
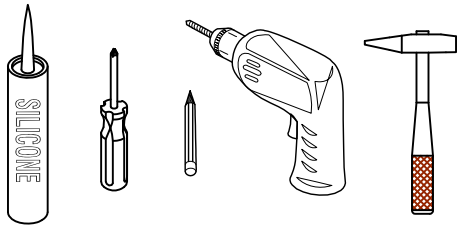

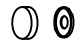







TOP VIEW

**Side View**



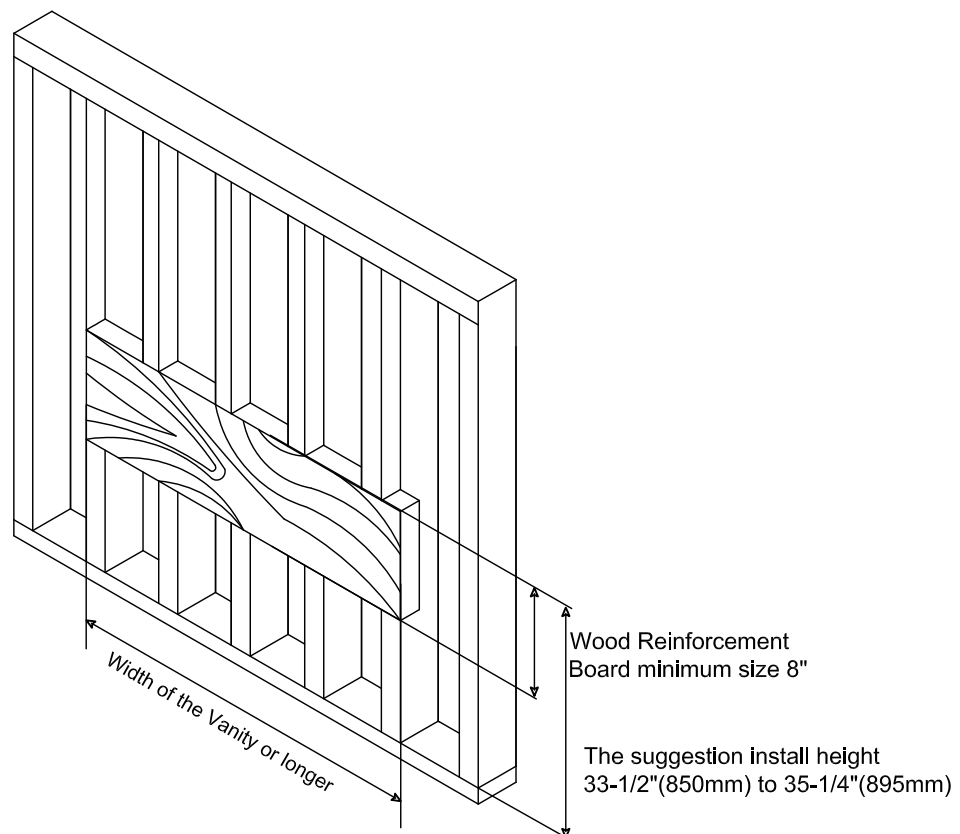
SECTION VIEW

Hardware				Tools ( not includes )
NO.		Draw	QTY	
A	White rubber plug(Ø6mm)		2	
B	Screws(Ø4 x 68mm)		2	
C	Stainless steel cover		2	
D	Leveling bracket		2	
E	Green rubber plug		6	
F	Screw(Ø4 x 45mm)		6	
G	Plastic box A		1	
H	Plastic box B		1	

## Wall blocking is required for all installation

The suggested heights without the sink are 30-5/8" for Blossom Resin Basin, or 32-5/8" for Blossom Ceramic Basin.

Depending on the sinks selected, the total height will vary from 33-1/2"(850mm) to 35-1/4"(895mm). If an alternate height desired, adjust the rough-in and backing material heights using the dimensions provided.

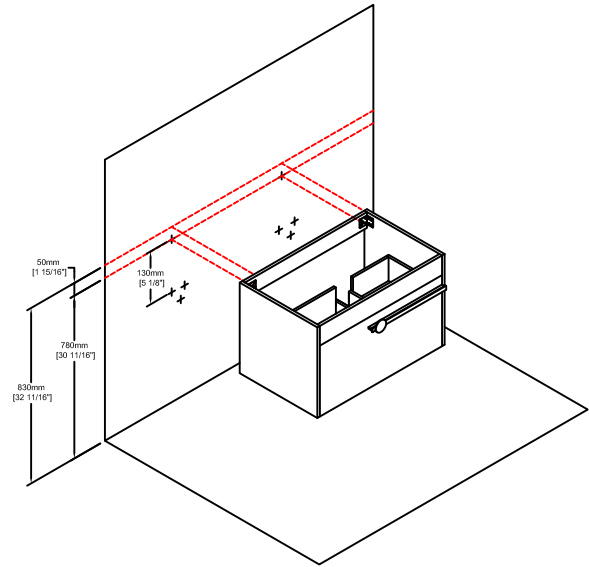


## STEP 1

- Draw a punched position on the wall with a pencil.

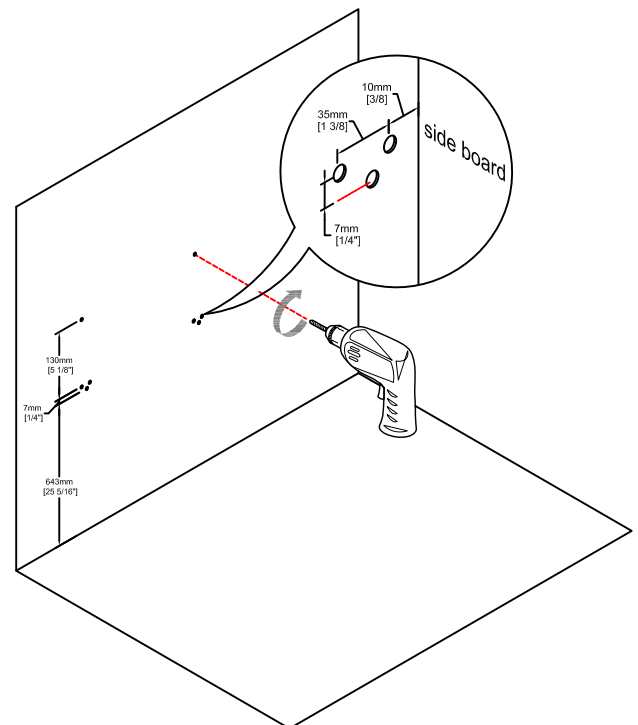
Tip:

1. The suggestion height of the cabinet is 32-11/16" (830mm) - not including the basin.
2. The suggestion height of the upper hole is 30-11/16" (780mm).
3. The suggestion distance between the upper hole to the lower hole is 5-1/8" (130mm).



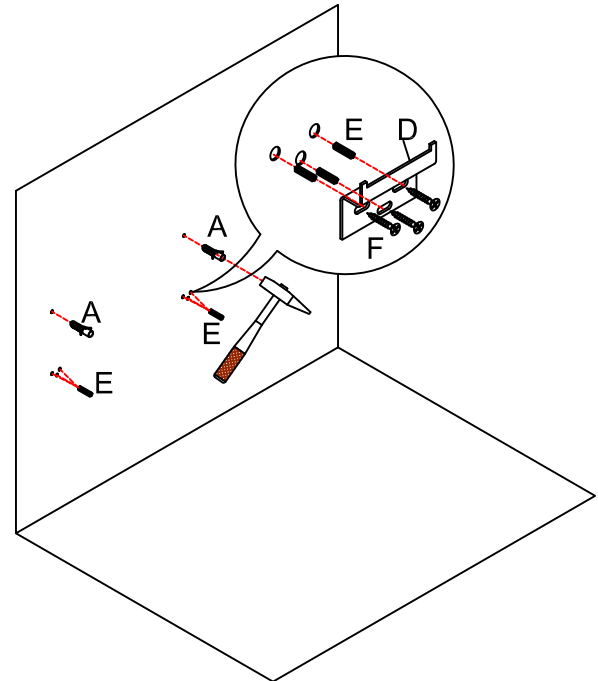
## STEP 2

- Drill the holes with suitable drill-bits base on different condition of the wall.



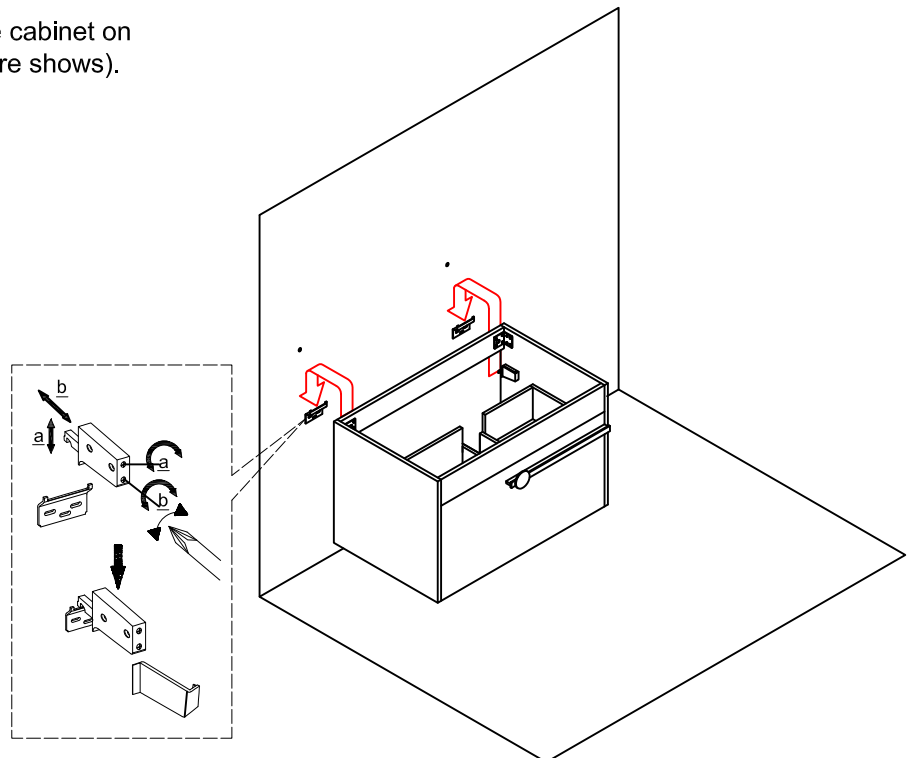
### STEP 3

- Use a hammer to knock the white expansion rubber plug into the upper hole, and knock the green rubber plug into the three lower hole, align the hole in the wall and lock the leveling bracket to the wall with screws.



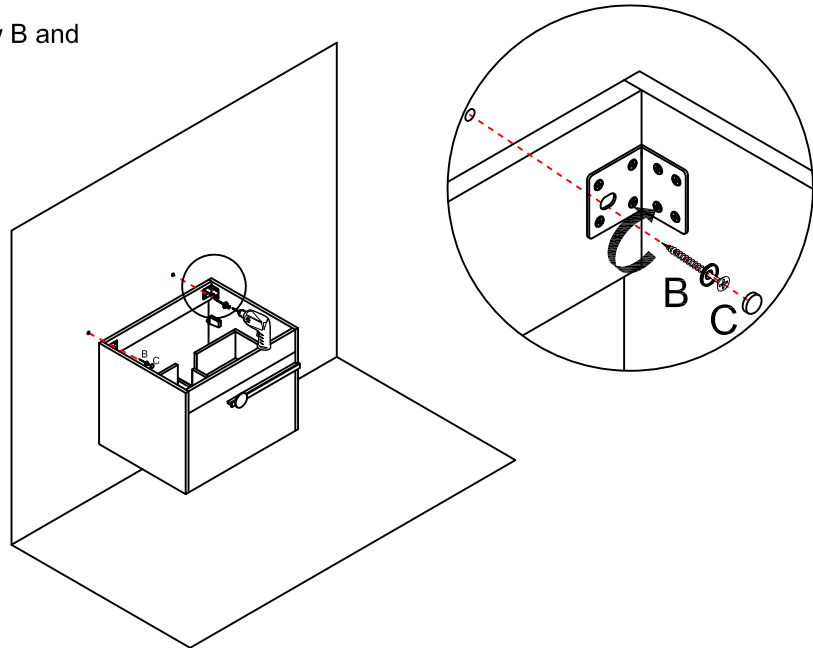
### STEP 4

- Hang the accessories behind the cabinet on the leveling bracket. (As the picture shows).



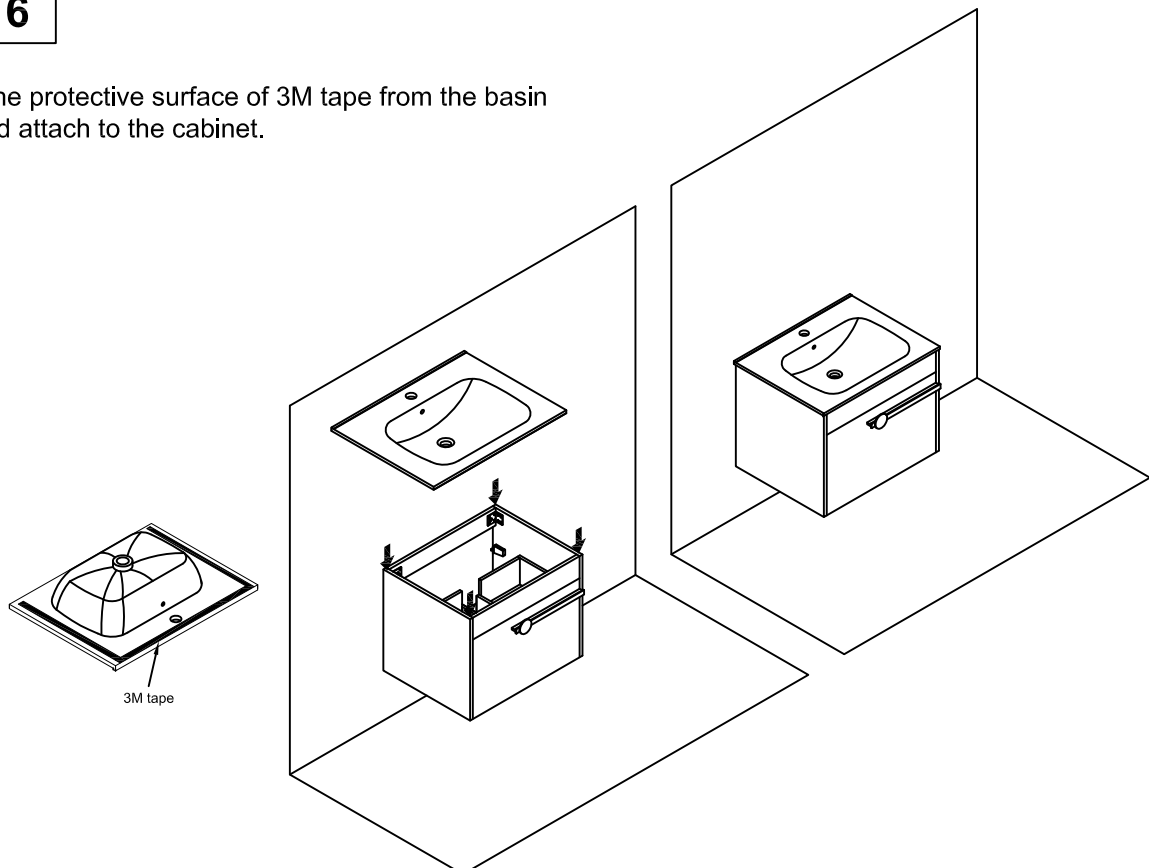
**STEP 5**

- Fix the cabinet to the wall with screw B and cover it with a stainless steel lid C.



**STEP 6**

- Remove the protective surface of 3M tape from the basin bottom and attach to the cabinet.





Blossom Kitchen & Bath Supply Corporation  
(718)-366-0088 | [sales@BlossomUS.com](mailto:sales@BlossomUS.com) | [www.BlossomUS.com](http://www.BlossomUS.com)

---

For clarification, please contact us at (718)-366-0088 or [sales@BlossomUS.com](mailto:sales@BlossomUS.com)  
All dimensions are approximate and subject to standard tolerance. Specifications subject to change without prior notice.