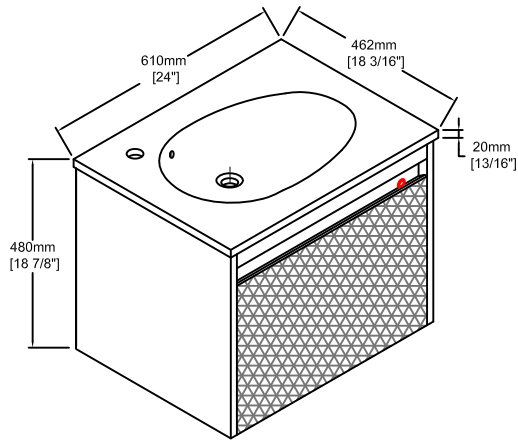
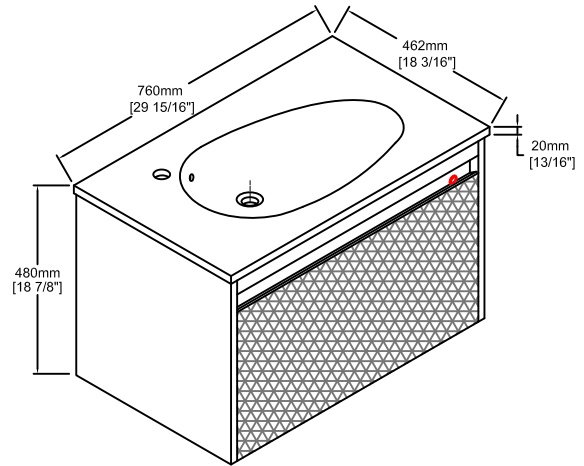




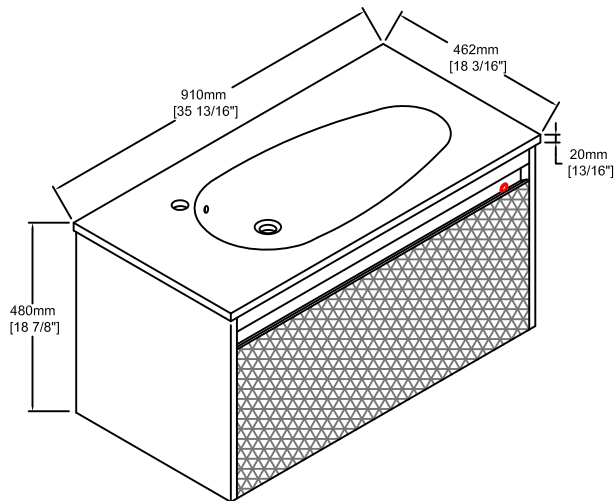
BLOSSOM[®]
luxury made simple



V8041 24



V8041 30



V8041 36

[**THUN**]
Series Vanities

Specification & Installation Guide

Features

- Modern design with gloss white or khaki.
- Soft-closing drawers .
- Compatible ceramic basins or artificial stone basins.
- Compatible matching mirror, medicine cabinet or LED mirror, medicine cabinet.
- Easy installation.

Package Dimension

24" 26-3/16" x 20-11/16" x 22-5/8"

30" 32-1/16" x 20-11/16" x 22-5/8"

36" 38" x 20-11/16" x 22-5/8"

Colors / Finishes

GLOSSY WHITE - 01

KHAKI - 14

Gross Weight

24" 85 LBS

30" 98 LBS

36" 110 LBS

Sink Top Options

Vanities

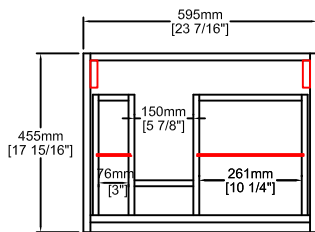
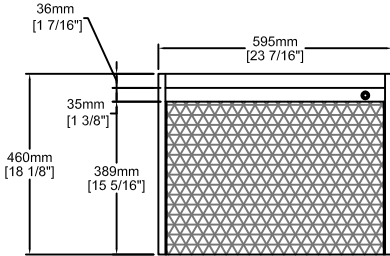
24" V8041 - 24

30" V8041 - 30

36" V8041 - 36

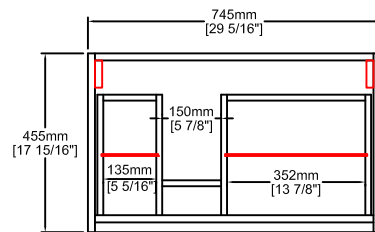
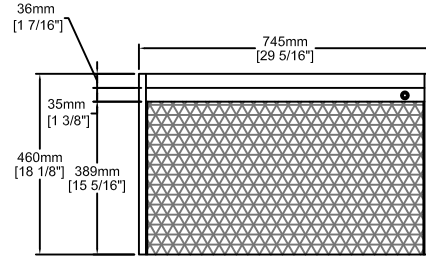
Artificial stone basin

24" 23-7/16" x 17-15/16" x 18-1/8"



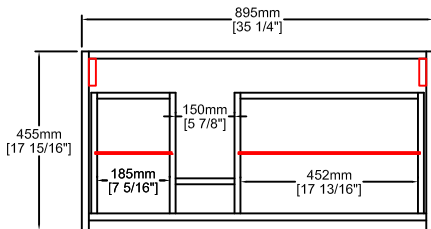
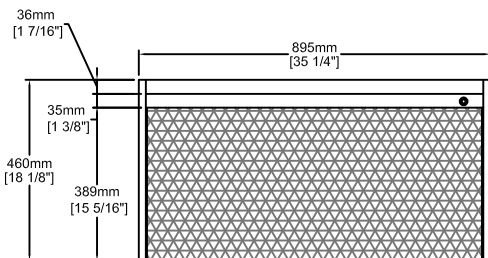
TOP VIEW

30" 29-5/16" x 17-15/16" x 18-1/8"



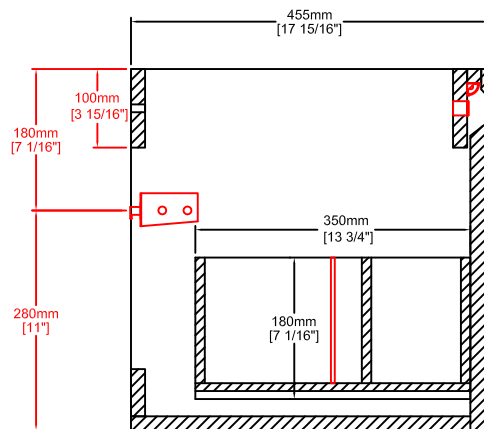
TOP VIEW

36" 35-1/4" x 17-15/16" x 18-1/8"


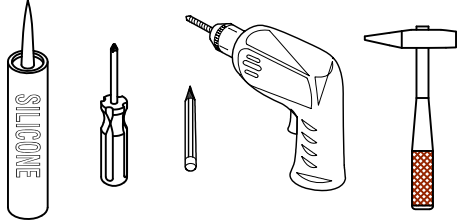

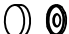





TOP VIEW

Side View



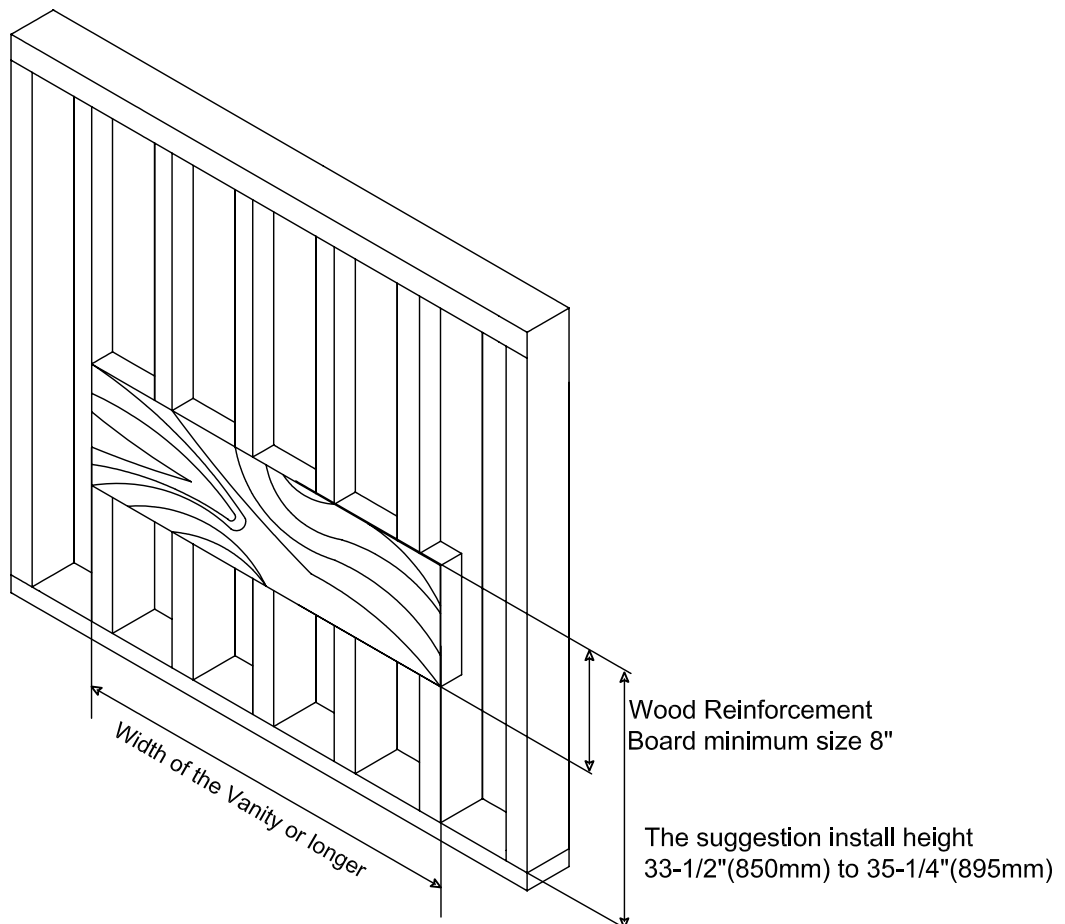
SECTION VIEW

Hardware				Tools (not includes)
NO.		Draw	QTY	
A	White rubber plug(Ø6mm)		2	
B	Screws(Ø4 x 68mm)		2	
C	Stainless steel cover		2	
D	Leveling bracket		2	
E	Green rubber plug		6	
F	Screw		6	

Wall blocking is required for all installation

The suggested heights without the sink are 30-5/8" for Blossom Resin Basin, or 32-5/8" for Blossom Ceramic Basin.

Depending on the sinks selected, the total height will vary from 33-1/2"(850mm) to 35-1/4"(895mm). If an alternate height desired, adjust the rough-in and backing material heights using the dimensions provided.

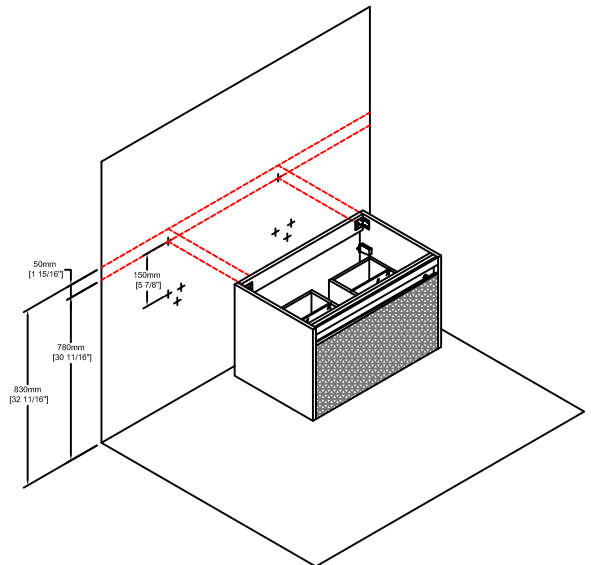


STEP 1

- Draw a punched position on the wall with a pencil.

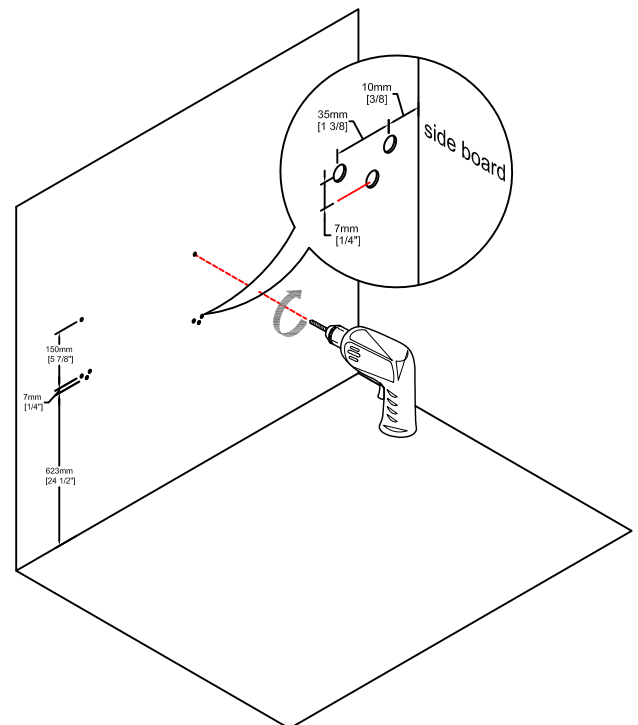
Tip:

1. The suggestion height of the cabinet is 32-11/16"(830mm)-not including the basin.
2. The suggestion height of the upper hole is 30-11/16"(780mm).
3. The suggestion distance between the upper hole to the lower hole is 5 7/8"(150mm).



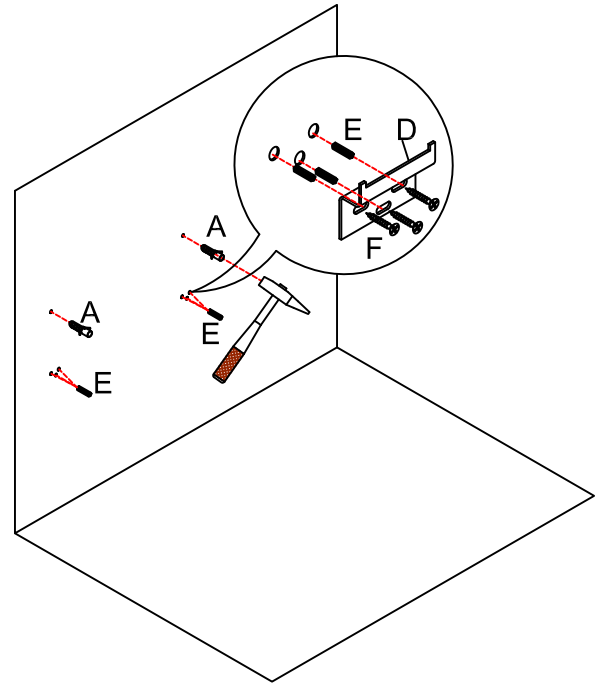
STEP 2

- Drill the holes with suitable drill-bits base on different condition of the wall.



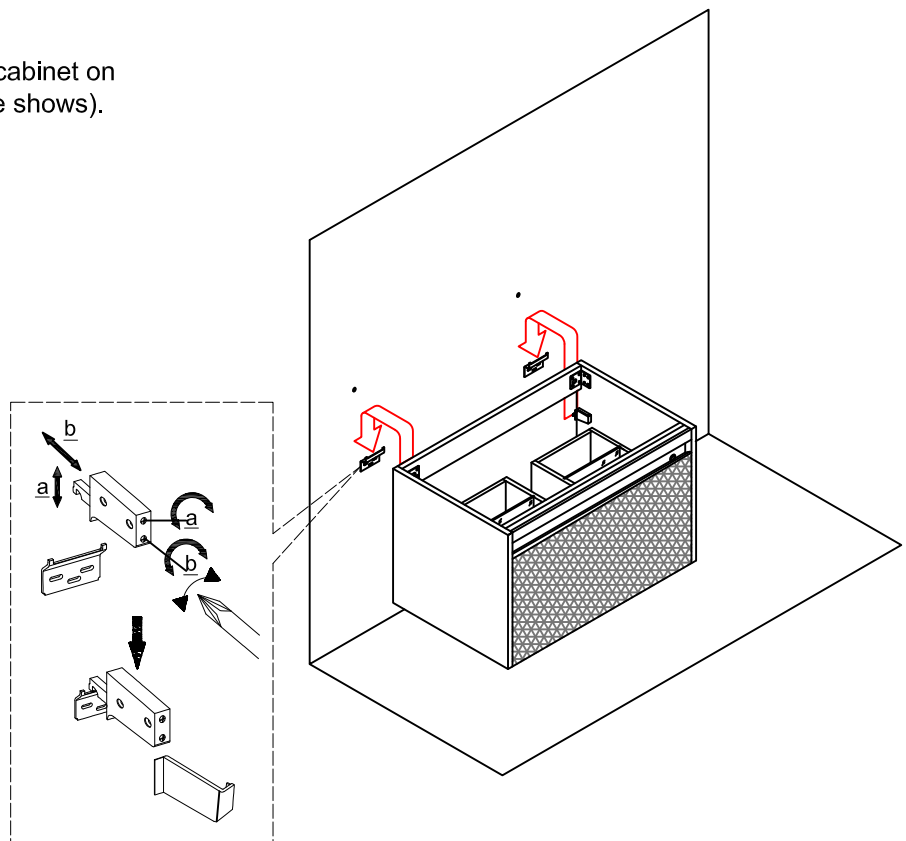
STEP 3

- Use a hammer to knock the white expansion rubber plug into the upper hole, and knock the green rubber plug into the three lower hole, align the hole in the wall and lock the leveling bracket to the wall with screws.



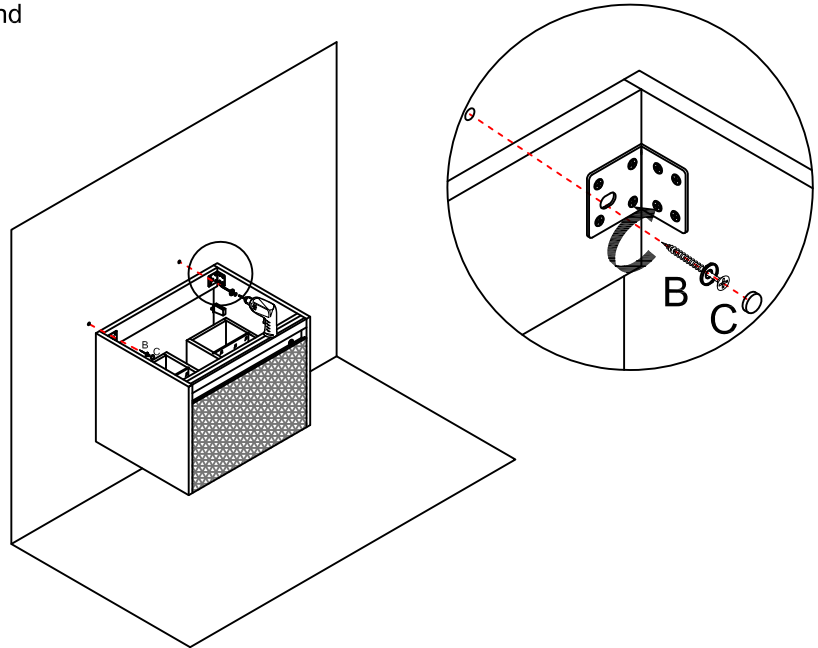
STEP 4

- Hang the accessories behind the cabinet on the leveling bracket. (As the picture shows).



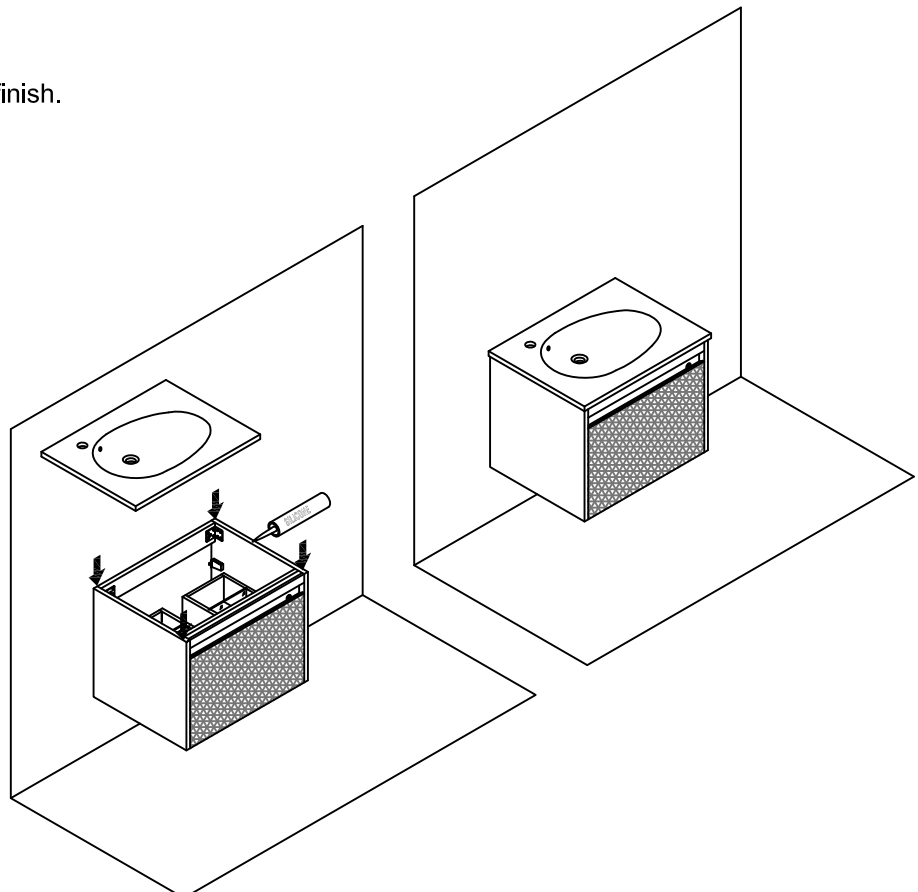
STEP 5

- Fix the cabinet to the wall with screw B and cover it with a stainless steel lid C.



STEP 6

- Install sink top with silicone and finish.





Blossom Kitchen & Bath Supply Corporation
(718)-366-0088 | sales@BlossomUS.com | www.BlossomUS.com

For clarification, please contact us at (718)-366-0088 or sales@BlossomUS.com
All dimensions are approximate and subject to standard tolerance. Specifications subject to change without prior notice.