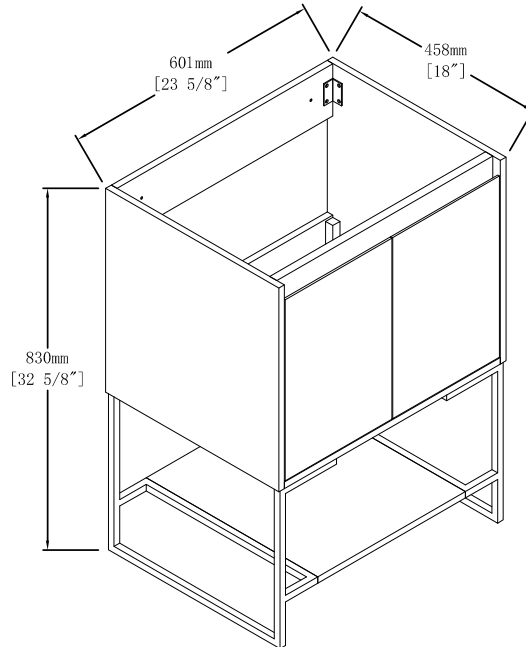
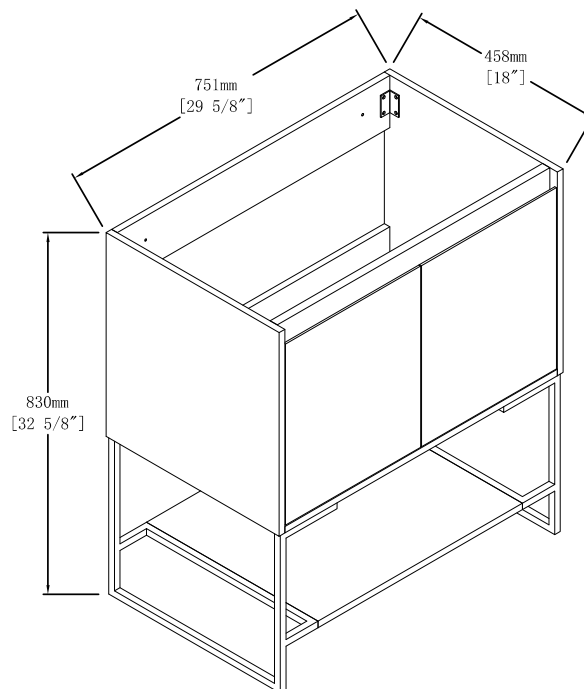




BLOSSOM[®]
luxury made simple



V8032-24



V8032-30

[**PORTO**]
Series Vanities

Specification & Installation Guide

Features

- Modern design with matte white or melamine finishes.
- Soft-closing doors.
- Compatible LED mirror or medicine cabinet.
- Easy installation.
- Come with 2-1/2" thick edge Modern artificial Stone Basin.

Package Dimension

24" 28 1/8"x22 1/4"x26 1/2"

30" 33 7/8"x22 1/4"x26 1/2"

Colors / Finishes

MATTE WHITE - 01

RED WALNUT-04

WALNUT-08

TEAK -09

NATURE MAPLE-12

Gross Weight

24" 92 LBS

30" 110 LBS

Sink Top Options

Vanities

24" V8032-24

30" V8032-30

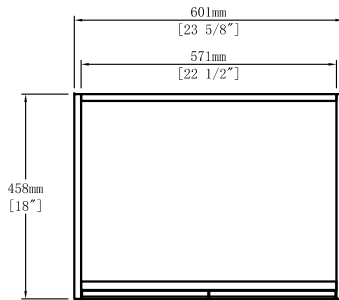
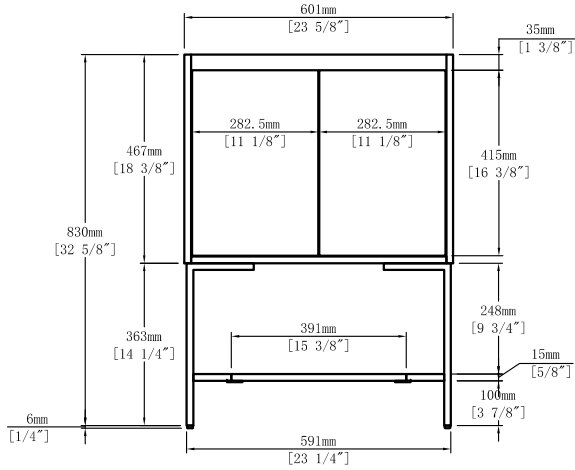
Artificial stone basin

A10 2418 25

A10 3018 25

24"

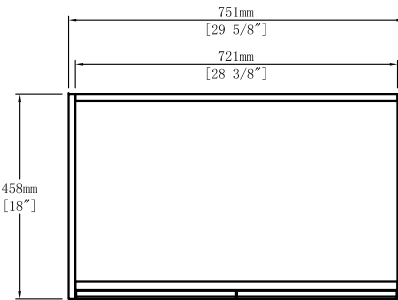
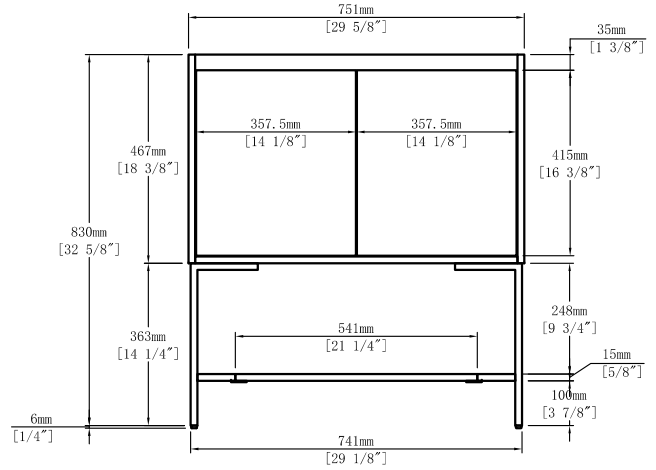
23-5/8"x18"x32-5/8"



TOP VIEW

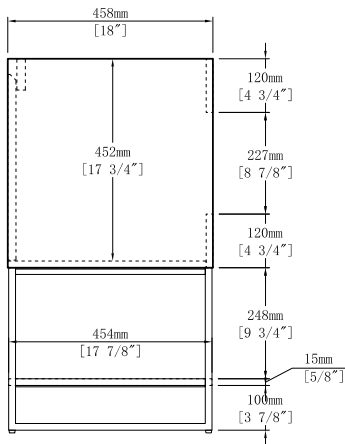
30"

29-5/8"x18"x32-5/8"



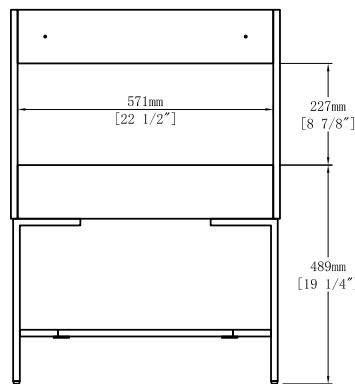
TOP VIEW

24"

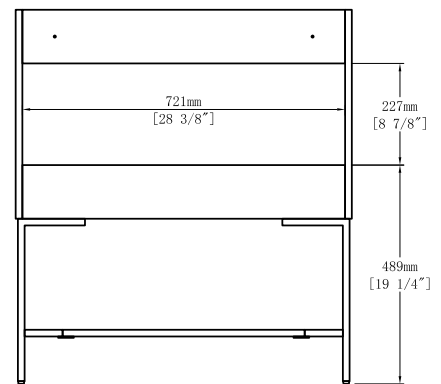


SIDE VIEW

30"

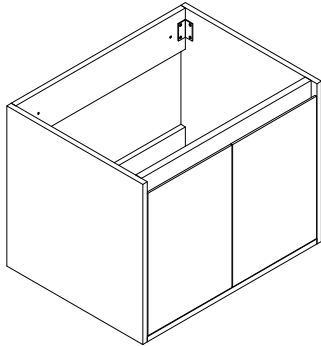


BACK VIEW

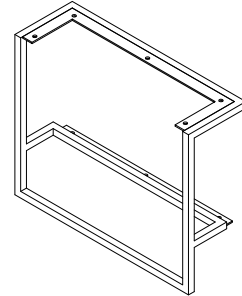


BACK VIEW

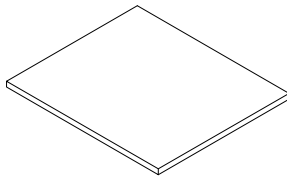
Parts List



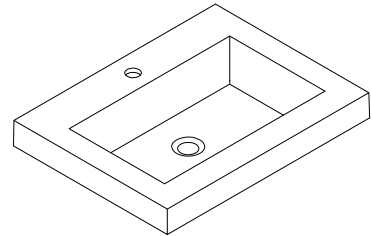
#1. x1




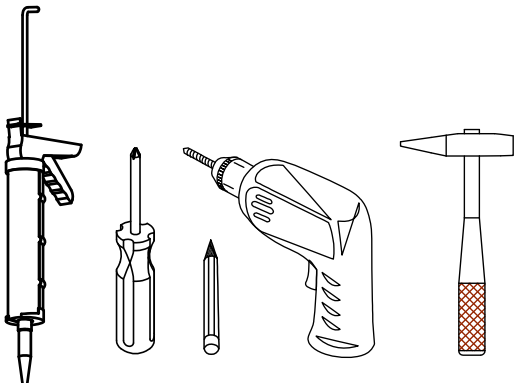






#2. x2



#3. x1

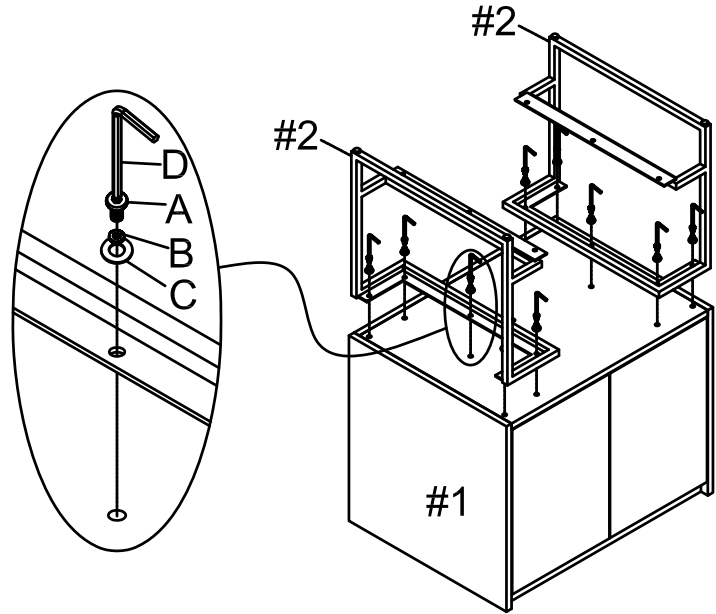


#4. x1

Hardware (Included)				Tools	
NO.		Draw	QTY		
A	Bolt		16		
B	Lock washer		16		
C	Flat washer		16		
D	Allen wrench		1		
E	Adjust Screws		4		
F	White rubber plug(Ø8 mm)		2		
G	Screws(M4*55mm)		2		

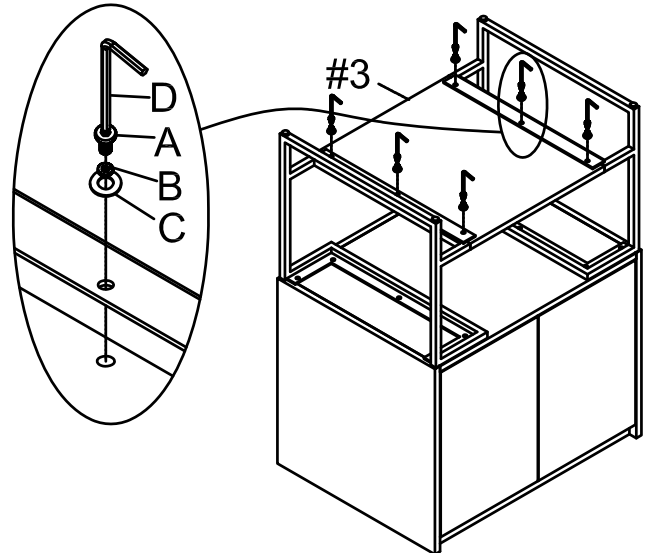
STEP 1

- Fix Part #2 to bottom shelf of Part #1 with fastening hardware A,B,C,D.



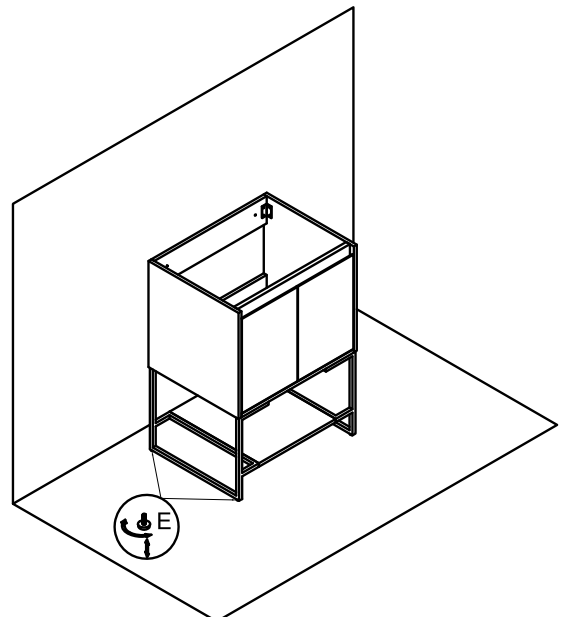
STEP 2

- Fix Part #3 to Part #2 with fastening hardware A,B,C,D.



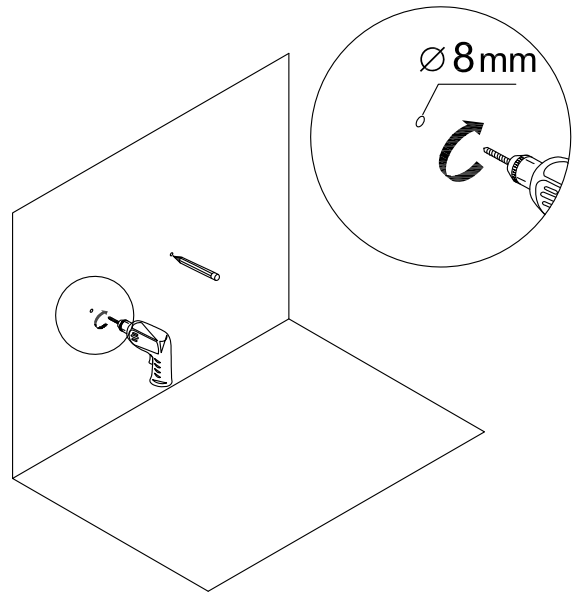
STEP 3

- Screw the lifting foot into the screw holes at the bottom.
- The adjusting screw at the bottom of the metal foot can be raised 0-9/16"(0-15mm).



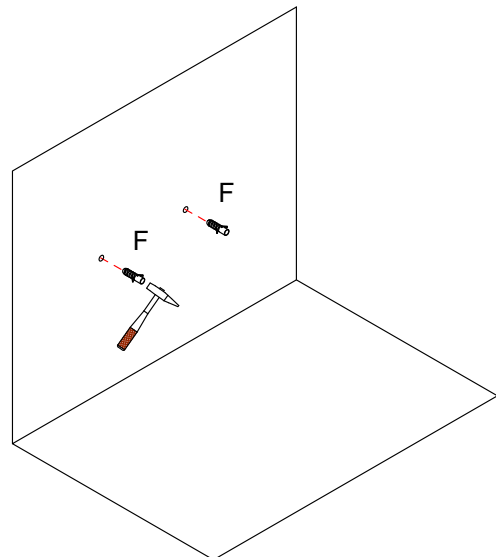
STEP 4

- Mark the pre-drilled holes with a pencil or marker after positioning and leveling the vanity with adjusting screws on.
- Drill the holes with suitable drill-bits base on different conditions of the wall.



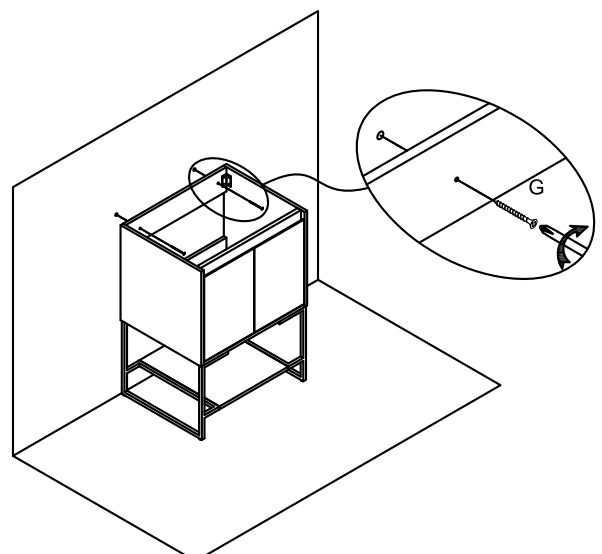
STEP 5

- White rubber plug for brick wall or concrete wall.



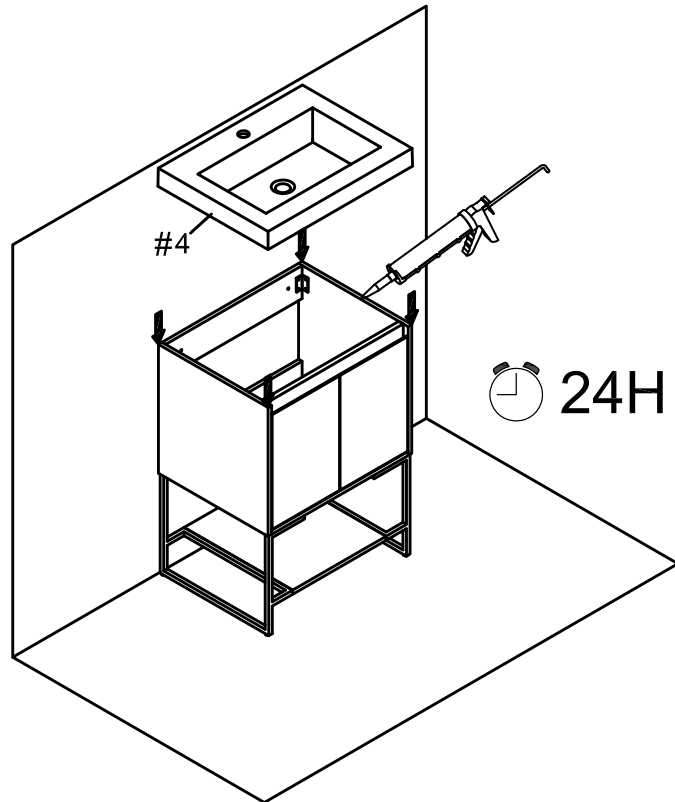
STEP 6

- Fix the cabinet to the wall with screw G.



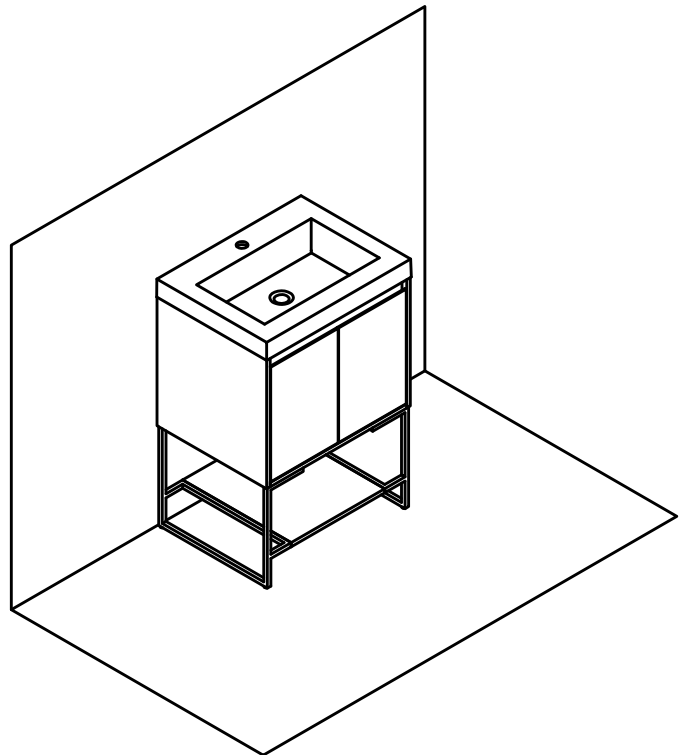
STEP 7

- Install the basin with silicone.



STEP 8

- Installation complete.





Blossom Kitchen & Bath Supply Corporation
(718)-366-0088 | sales@BlossomUS.com | www.BlossomUS.com

For clarification, please contact us at (718)-366-0088 or sales@BlossomUS.com
All dimensions are approximate and subject to standard tolerance. Specifications subject to change without prior notice.