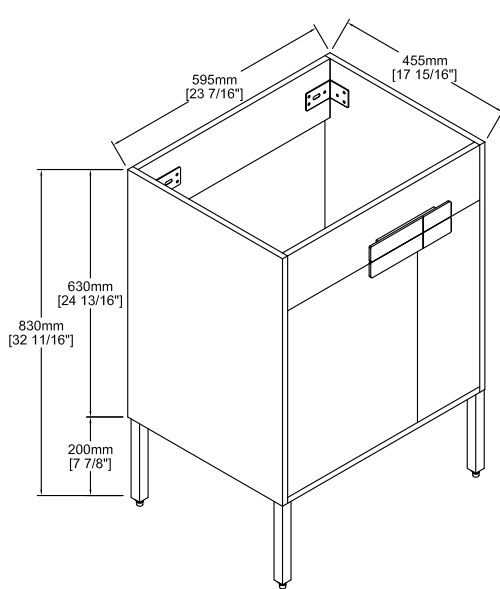
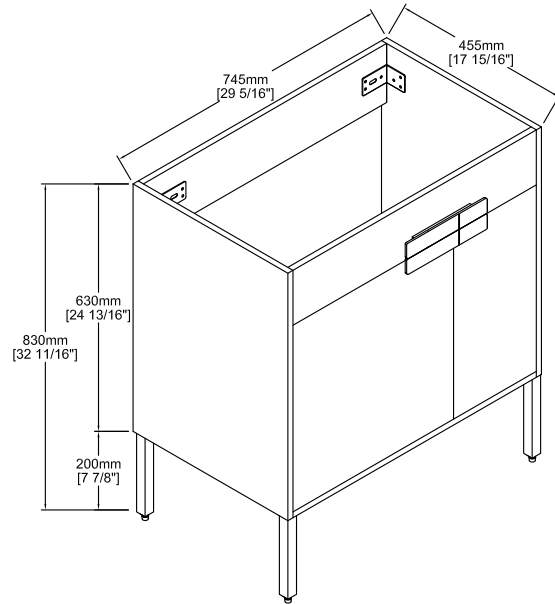




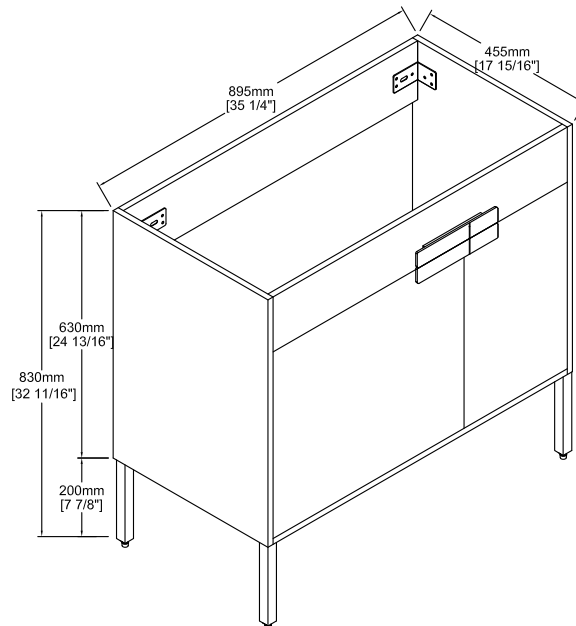
BLOSSOM[®]
luxury made simple



V8030 24



V8030 30



V8030 36

[BARI]
Series Vanities

Specification & Installation Guide

Features

- Modern design with matte white or melamine finishes.
- Soft-closing doors .
- Compatible ceramic basins or artificial stone basins.
- Compatible matching mirror, medicine cabinet or LED mirror, medicine cabinet.
- Easy installation

Package Dimension

24" 26-3/8" x 20-7/8" x 28-9/16"

30" 32-5/16" x 20-7/8" x 28-9/16"

36" 38-3/16" x 20-7/8" x 28-9/16"

Colors / Finishes

MATT WHITE - 01

NAVY BLUE - 25

CLASSIC OAK - 29

MAPLE - 31

Gross Weight

24" 42 LBS

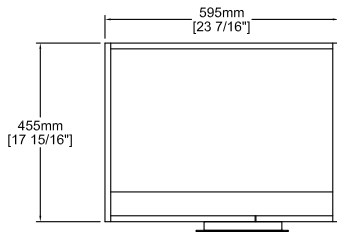
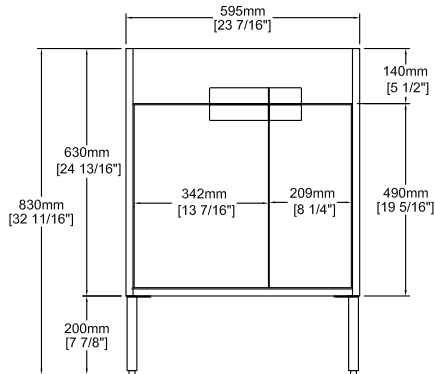
30" 48 LBS

36" 54 LBS

Sink Top Options

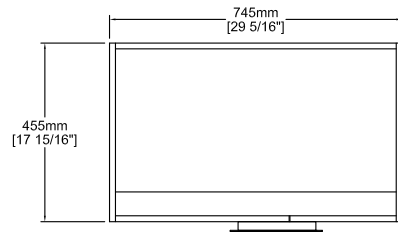
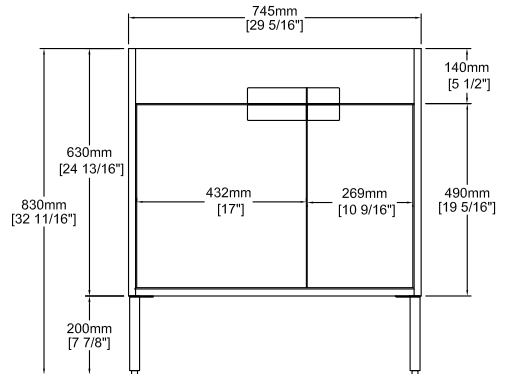
	Vanities	Ceramic basin	Artificial stone basin
24"	V8030 - 24	C04 2418	A10 2418 25
30"	V8030 - 30	C04 3018	A10 3018 25
36"	V8030 - 36	C04 3618	A10 3618 25

24" 23-7/16"x 17-15/16"x 32-11/16"



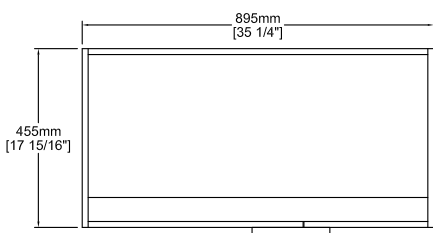
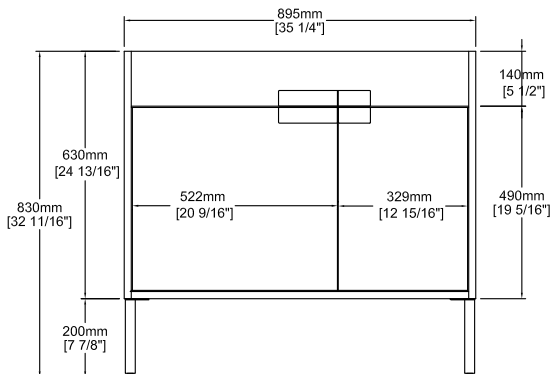
TOP VIEW

30" 29-5/16"x 17-15/16" x 32-11/16"



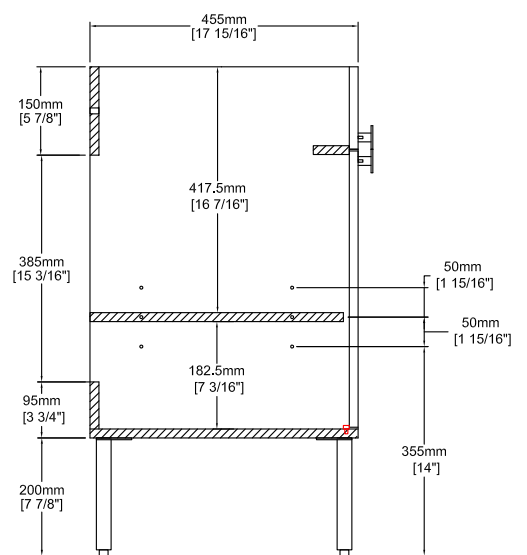
TOP VIEW

36" 35-1/4"x 17-15/16"x 32-11/16"


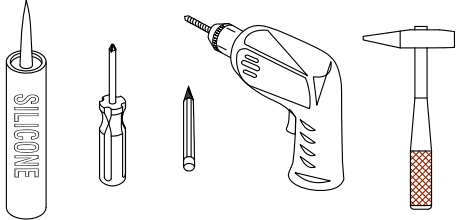


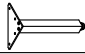




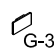


TOP VIEW

Side View



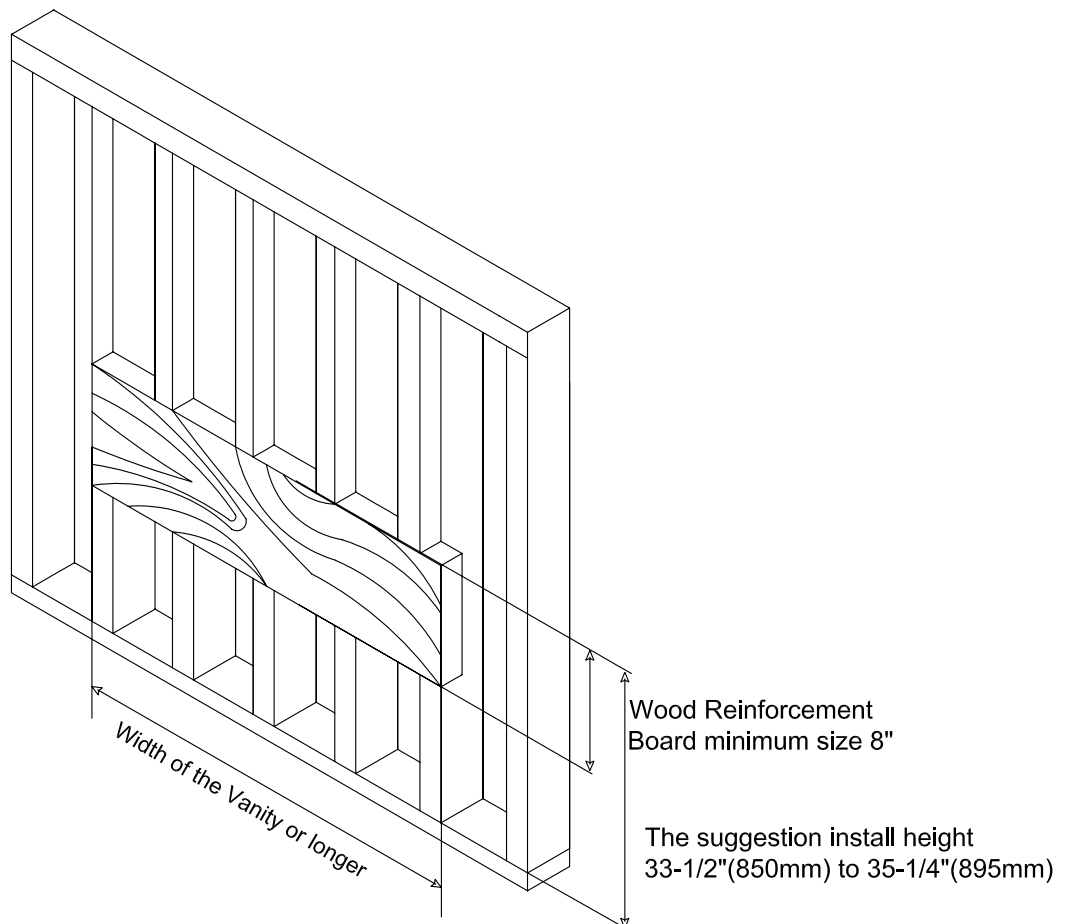
SECTION VIEW

Hardware				Tools	
NO.		Draw	QTY		
A	White rubber plug(Ø10mm)		2		
B	Screws(Ø6 x 75mm)		2		
C	Stainless steel cover		2		
D	200mm high metal feet		4		
E	Metal foot screw(M4x14mm)		16		
F	Handle Screw(M4x22mm)		6		
G	Handle	  	1		

Wall blocking is required for all installation

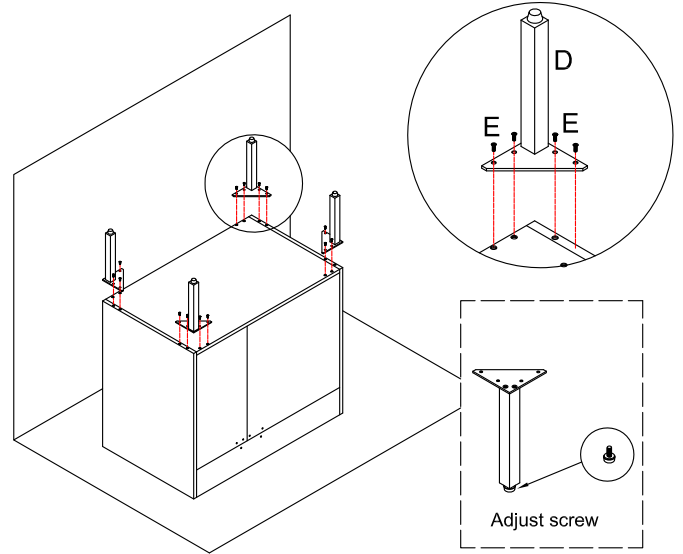
The suggested heights without the sink are 30-5/8" for Blossom Resin Basin, or 32-5/8" for Blossom Ceramic Basin.

Depending on the sinks selected, the total height will vary from 33-1/2"(850mm) to 35-1/4"(895mm). If an alternate height desired, adjust the rough-in and backing material heights using the dimensions provided.



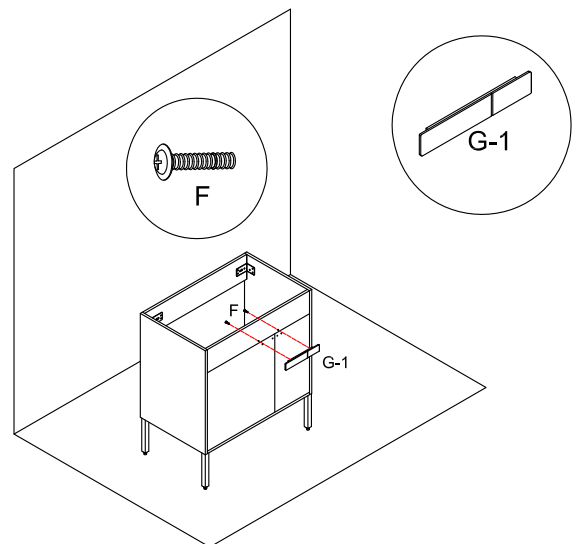
STEP 1

- Turn the bottom of the cabinet upside down.
- Install metal pin D with E screw according to the hole position at the bottom.
- The adjusting screw at the bottom of the metal foot can be raised 0-9/16"(0-15mm).



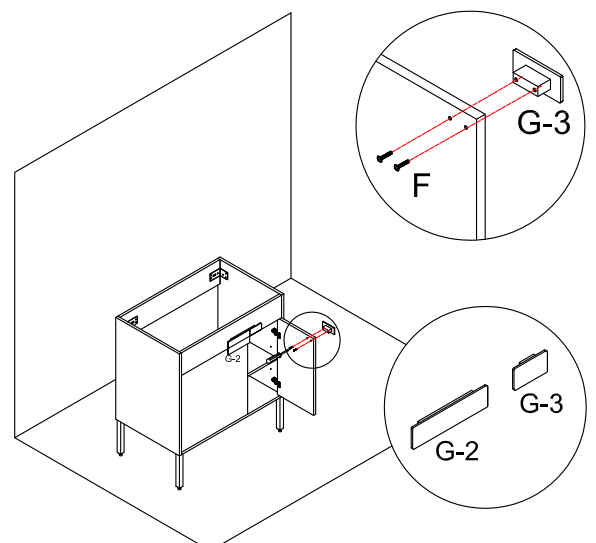
STEP 2

- Use handle screw F to align the G-1 handle with the hole.



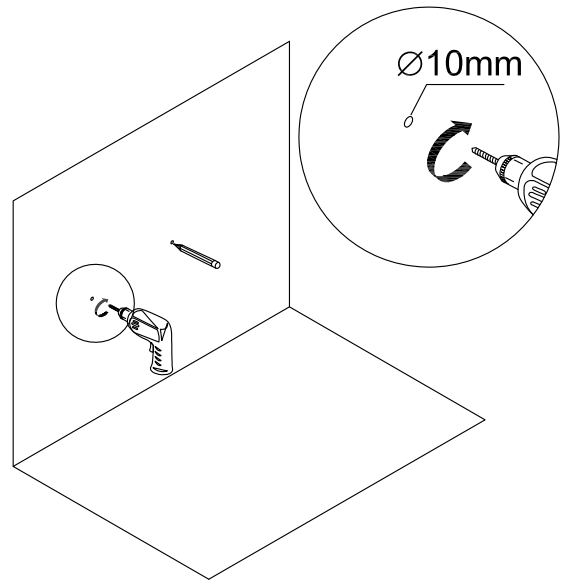
STEP 3

- Use handle screw F to align the G-2 handle with the hole.
- Use handle screw F to align the G-3 handle with the hole.



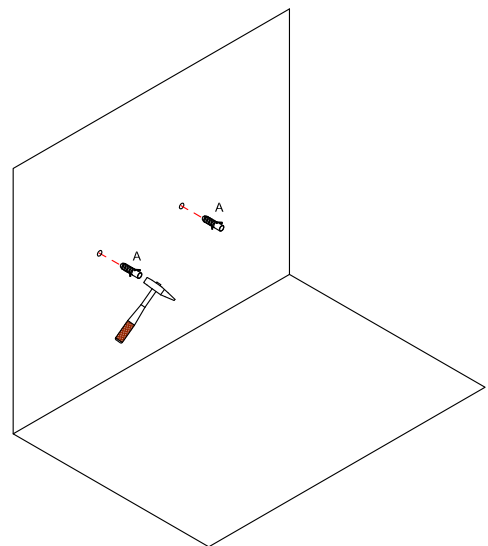
STEP 4

- Mark the pre-drilled holes with a pencil or marker after positioning the vanity.
- Drill the holes with suitable drill-bits base on different condition of the wall.



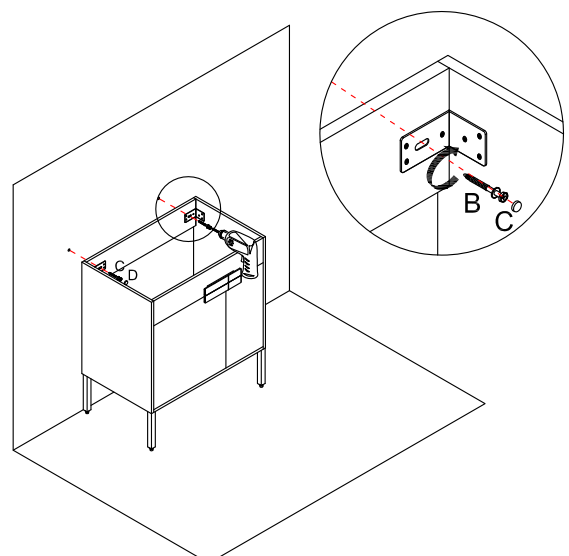
STEP 5

- White rubber plug for brick wall or concrete wall.



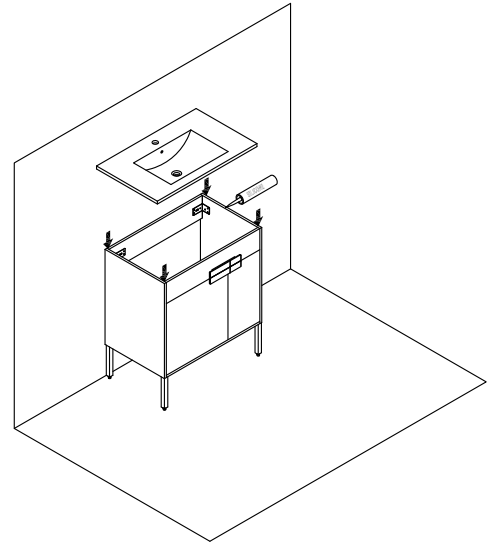
STEP 6

- Fix the cabinet to the wall with screw C and cover it with a stainless steel lid D.



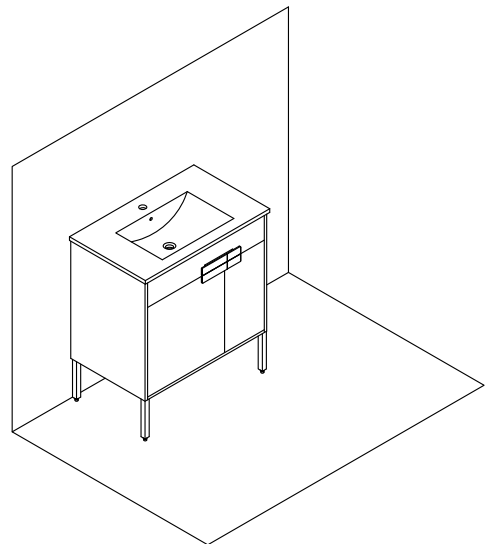
STEP 7

- Install the basin with silicone.



STEP 8

- Installation complete.





Blossom Kitchen & Bath Supply Corporation
(718)-366-0088 | sales@BlossomUS.com | www.BlossomUS.com

For clarification, please contact us at (718)-366-0088 or sales@BlossomUS.com
All dimensions are approximate and subject to standard tolerance. Specifications subject to change without prior notice.