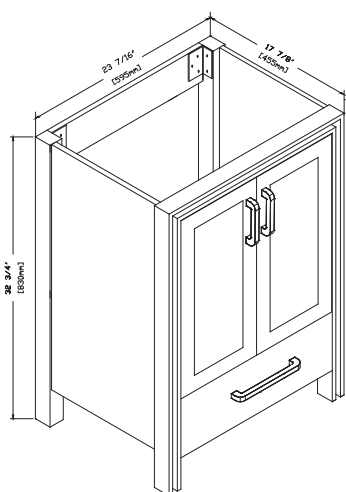
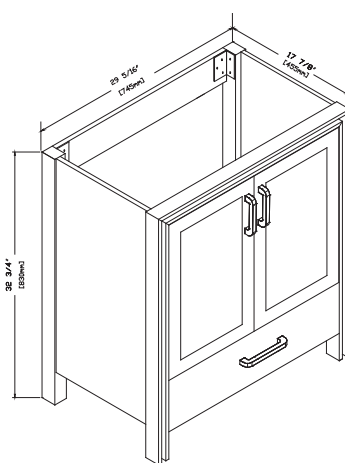




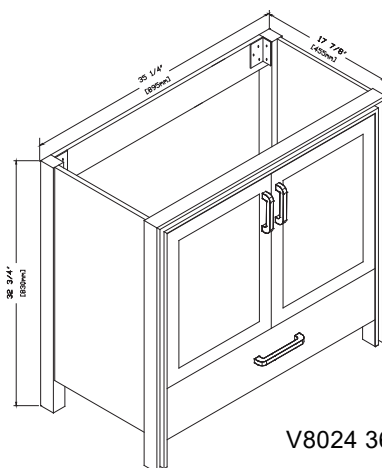
BLOSSOM[®]
luxury made simple



V8024 24 01/15



V8024 30 01/15



V8024 36 01/15

[Birmingham]

Series Vanities

Specification & Installation Guide

Features

- Free Standing.
- Two Doors and One Soft Closing Drawer.
- Loft design gives you a timeless classic style bathroom.
- Furniture grade water proof polyvinyl chloride board protected with several coats of polyurethane.
- Two tempered safe glass insert dividers to keep your drawer more organized.
- Compatible matching mirrors.
- Compatible LED mirrors.
- Compatible LED medicine cabinets with surface or recessed mount options.
- Compatible ceramic sink top.
- Compatible artificial stone sink top.

Package Dimension

24" 23-7/16" W x 17-7/8" D x 32-3/4" H

30" 29-5/16" W x 17-7/8" D x 32-3/4" H

36" 35-1/4" W x 17-7/8" D x 32-3/4" H

Gross Weight

24" 67.90lbs/30.8kgs

30" 72.51lbs/32.89kgs

36" 79.54lbs/36.08kgs

Colors / Finishes

Glossy White

Matte Grey

Vanities

Ceramic Sinks

Artificial stone basin

24" V8024 24 01/15

C04 2418

A10 2418 25

30" V8024 30 01/15

C04 3018

A10 3018 25

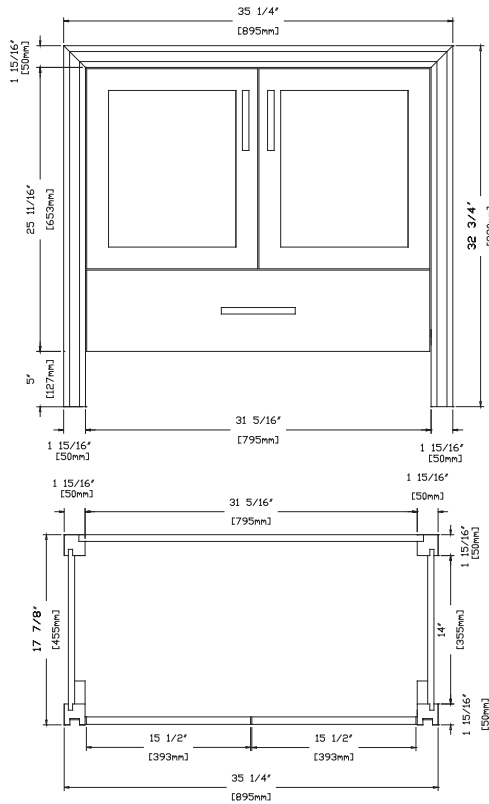
36" V8024 36 01/15

C04 3618

A10 3618 25

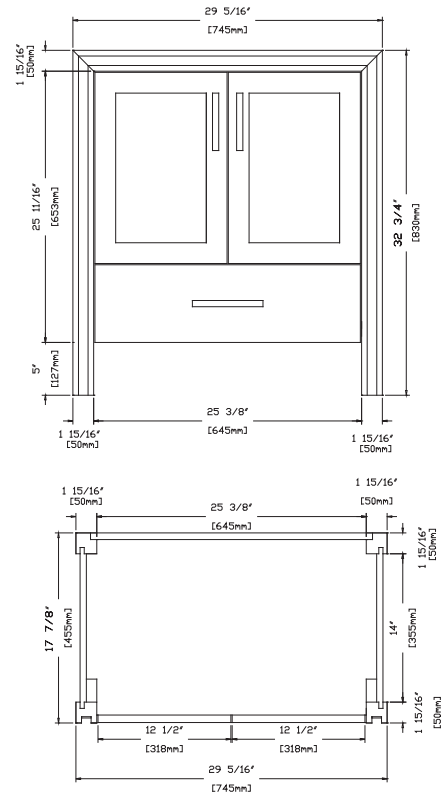
36"

35-1/4" W x 17-7/8" D x 32-3/4" H



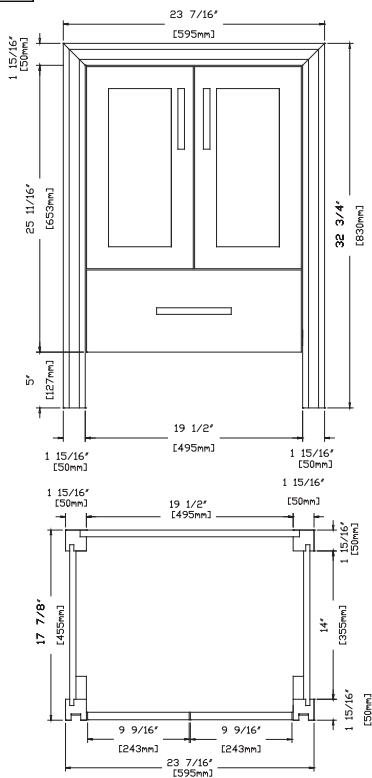
30"

29-5/16" W x 17-7/8" D x 32-3/4" H

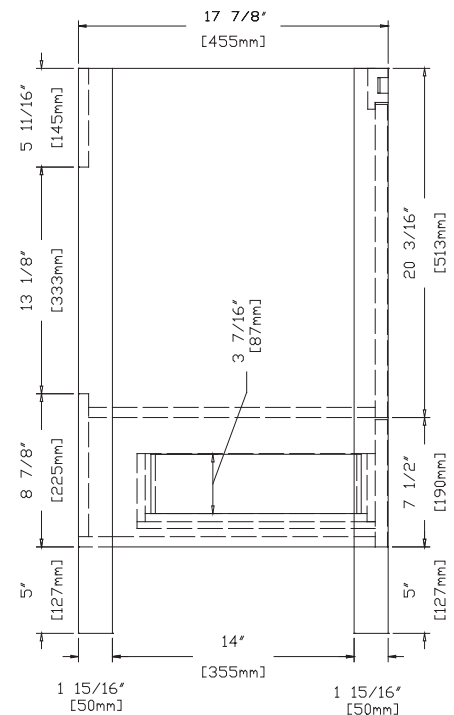



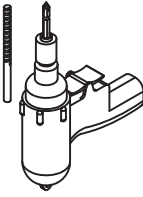

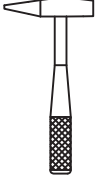


24"

23-7/16" W x 17-7/8" D x 32-3/4" H



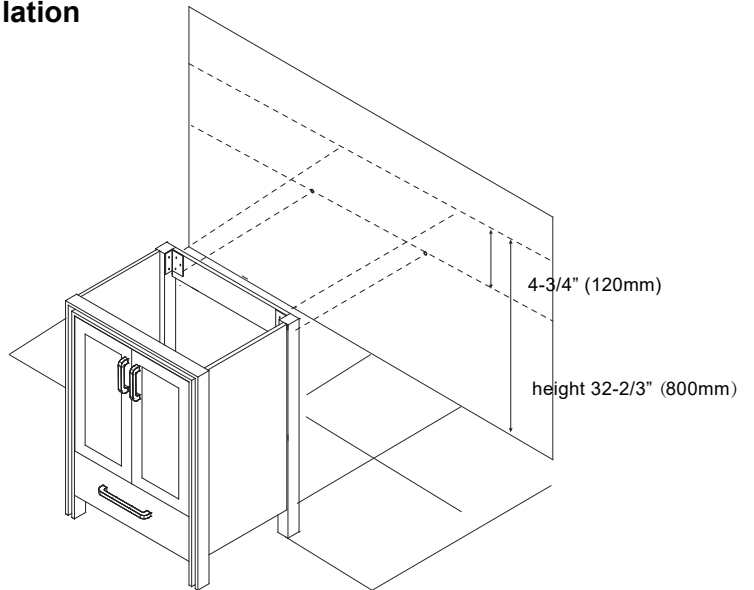
Side View



Hardware				Tools (not includes)	
No.		Draw	Qty		
A	Anchors		2pcs	  	
B	Lag Bolt		10pcs		
C	Leveling Bracket		2pcs		

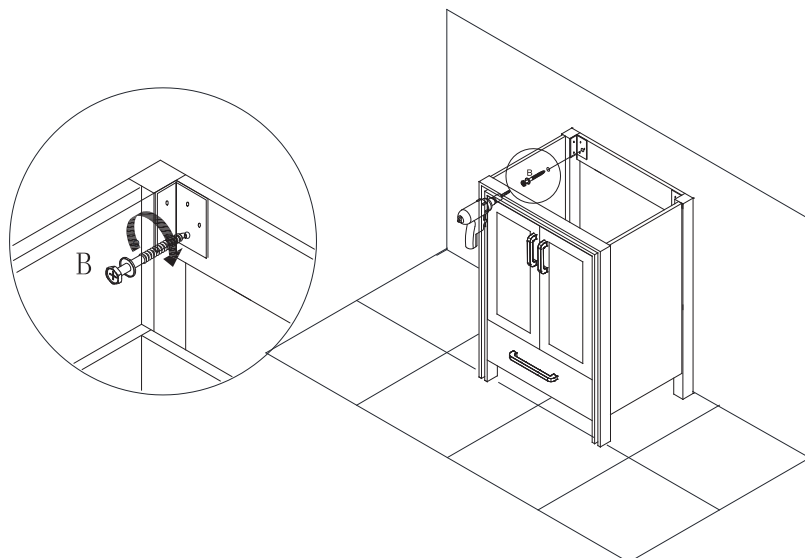
STEP 1. Cabinet positioning and installation

The height of vanity is 32-2/3"(830mm) -not including the basin.



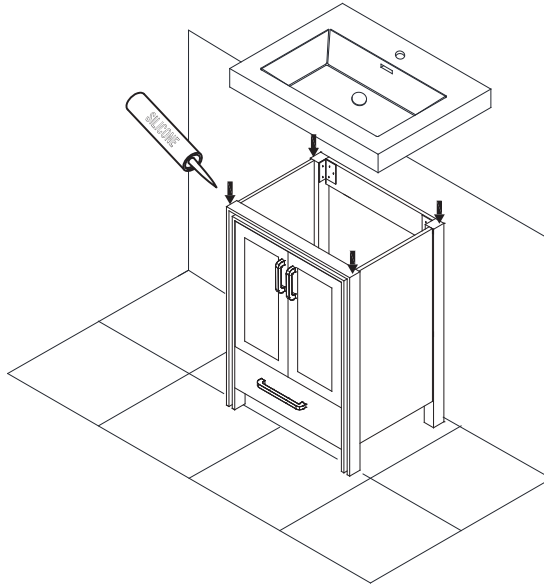
STEP 2. Fixed Cabinet

Install Lag Bolt.



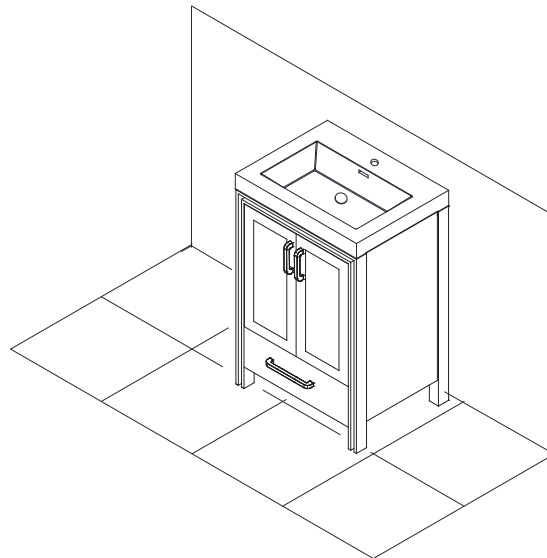
STEP 3.

Install sink top with Silicone



STEP 4.

Finish





Blossom Kitchen & Bath Supply Corporation
(718)-366-0088 | sales@BlossomUS.com | www.BlossomUS.com

For clarification, please contact us at (718)-366-0088 or sales@BlossomUS.com
All dimensions are approximate and subject to standard tolerance. Specifications subject to change without prior notice.