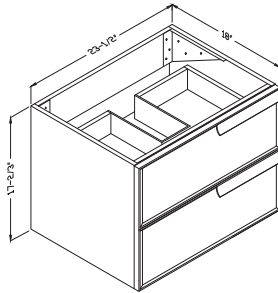
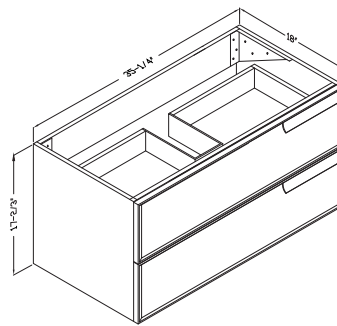




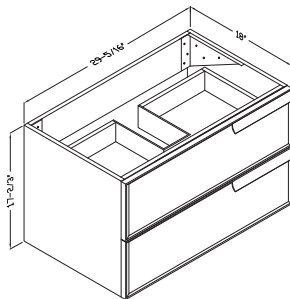
BLOSSOM[®]
luxury made simple



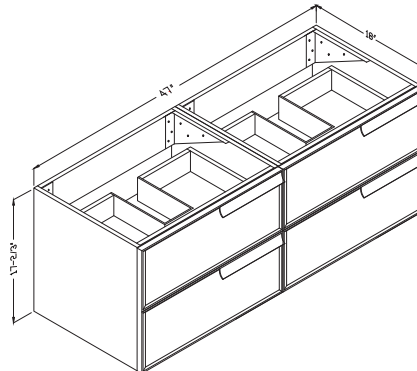
V8020 24 01/15



V8020 36 01/15



V8020 30 01/15



V8020 48 01/15
(two 23-1/2" vanities)

[**SOFIA**]
Series Vanities
Specification & Installation Guide

Features

- Furniture grade water proof polyvinyl Chloride board, protected with several Coats of polyurethane.
- Matching finish inside with drawers front.
- Two fully adjustable drawer with Full extension soft-close hardware.

Package Dimension

24"	26-3/8" X 20-15/32" X 21-17/64"
30"	32-43/64" X 20-15/32" X 21-17/64"
36"	38-37/64" X 20-15/32" X 21-17/64"

Colors / Finishes

Matte White - 01 / Matte Grey - 15
Handle-Matte Grey

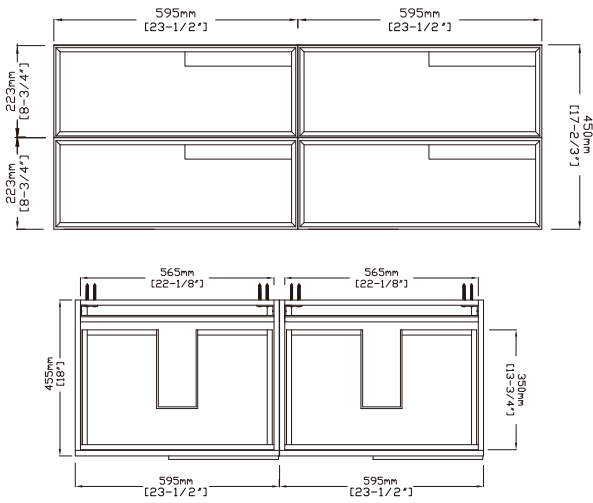
Gross Weight

24"	41.89LBS
30"	48.5LBS
36"	52.91LBS

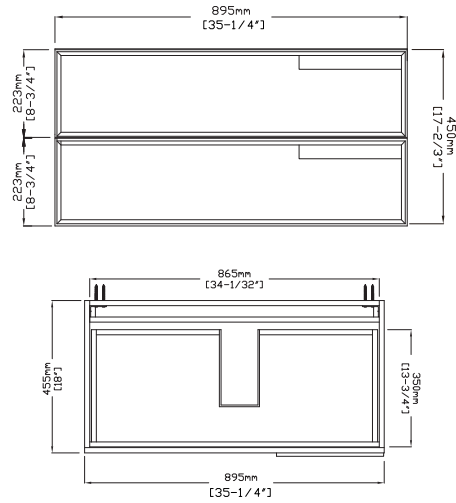
Sink Top options

Vanities		Ceramic Basin	Artificial stone basin
24"	V8020 24 01/15	C04 2418	A10 2418 25
30"	V8020 30 01/15	C04 3018	A10 3018 25
36"	V8020 36 01/15	C04 3618	A10 3618 25
48"	V8020 48 01/15 (two 24")	C04 4818D	A10 4818 25D

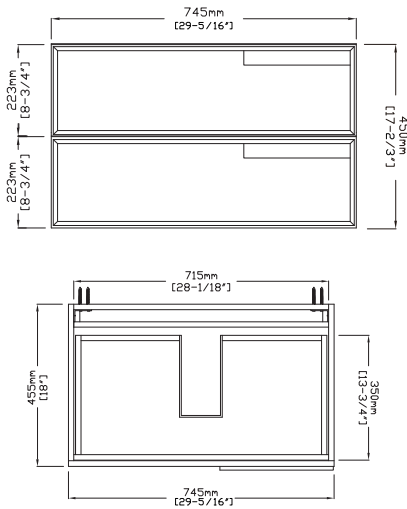
48" 47" X 18" X 17-2/3"



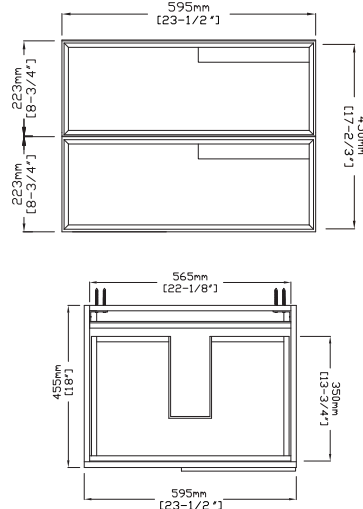
36" 35-1/4" X 18" X 17-2/3 "



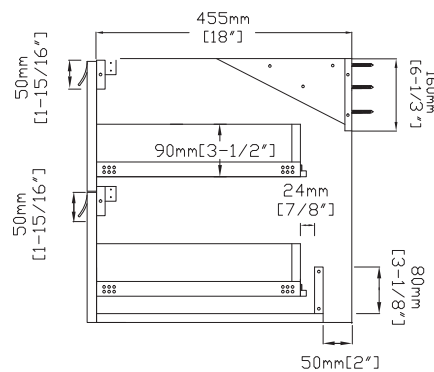
30" 29-5/16 X 18" X 17-2/3 "


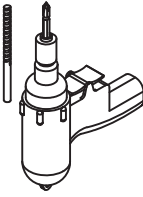

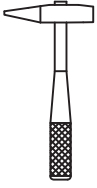




24" 23-1/2" X 18" X 17-2/3 "



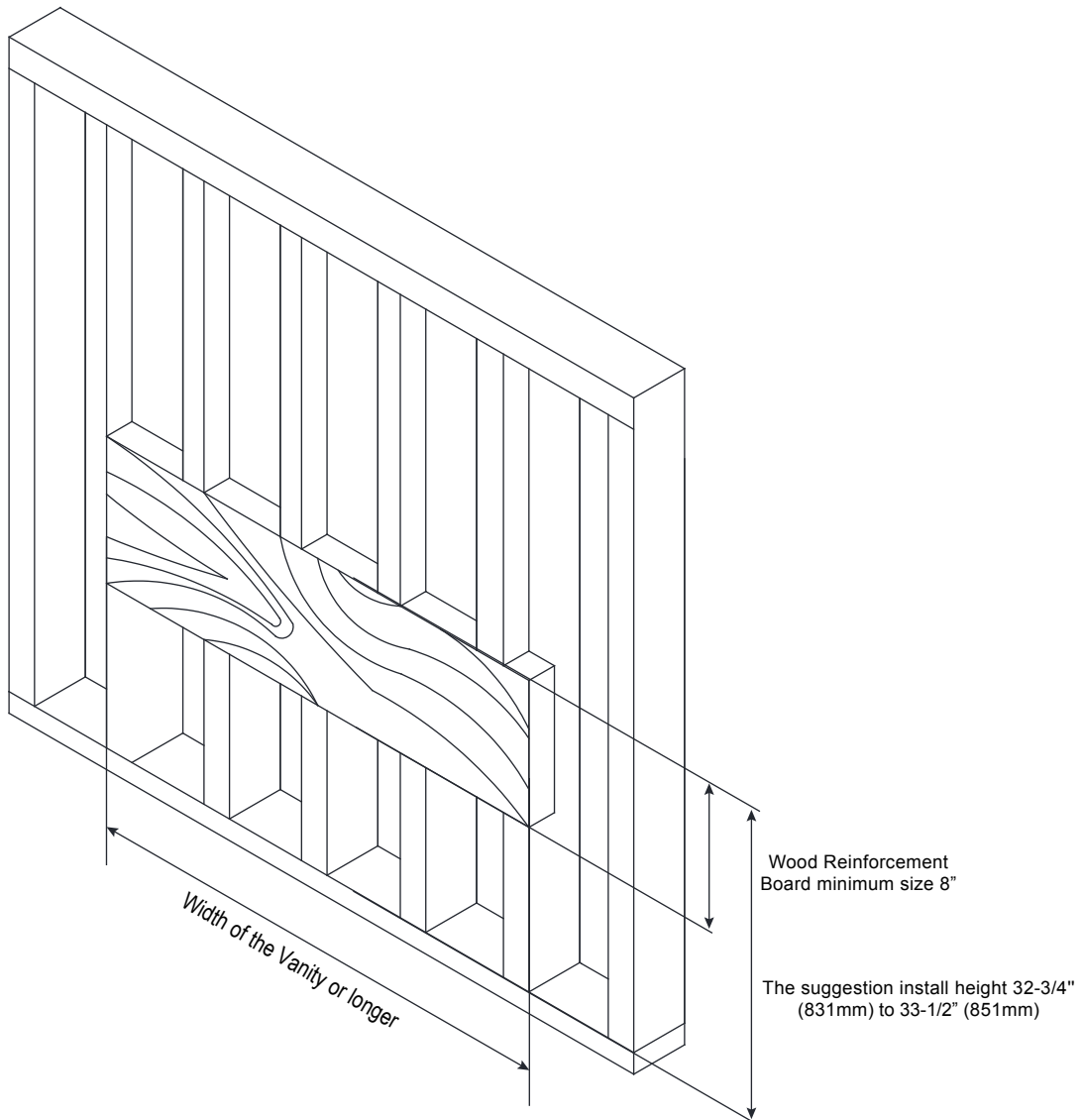
Side View



Hardware				Tools (not includes)		
No.		Draw	Qty			
A	Anchors		2pcs	  		
B	Lag Bolt		10pcs			
C	Leveling Bracket		2pcs			

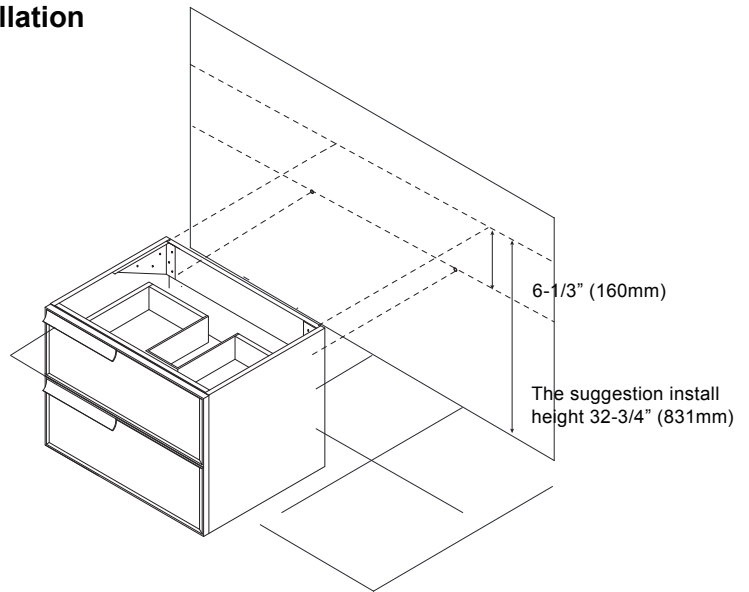
Wall Preparation

The typical dimensions shown will result in vanity cabinet height of 32-3/4" (831mm). Depending on the sinks selected, the total height will vary from 33-1/2" (850mm) 35-1/4" (895mm). If an alternate height is desired, adjust the rough-in and backing material heights using the dimensions provided.



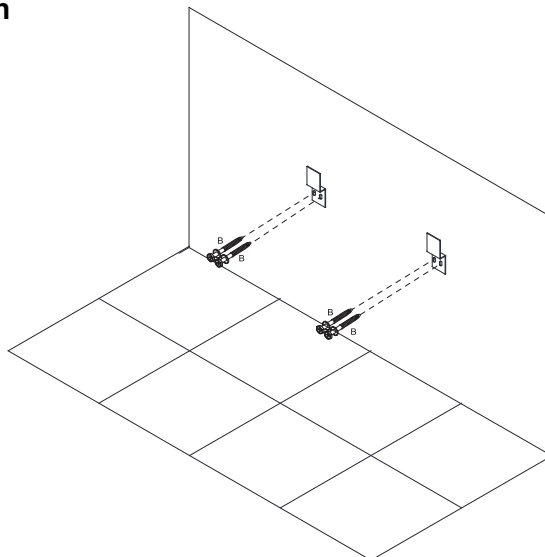
STEP 1. Cabinet positioning and installation

- The suggestion height of vanity installation is 32-3/4" (831mm) - not including the basin.
- The height of Leveling Bracket Installation is 26-1/2" (671mm).



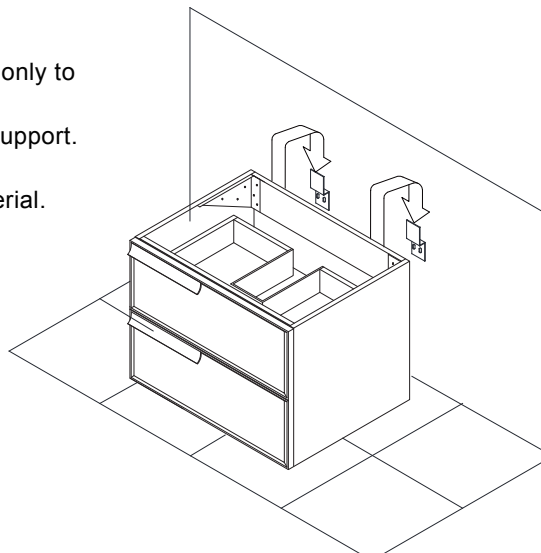
STEP 2. Leveling bracket installation

- Install leveling bracket after determining the height of vanity.



STEP 3. Hang the cabinet on the leveling bracket and adjust it horizontally

Place vanity on leveling bracket, Leveling brackets are only to level the vanity. They are not designed for permanent support. Vanity needs to be secured into the wood backing material.

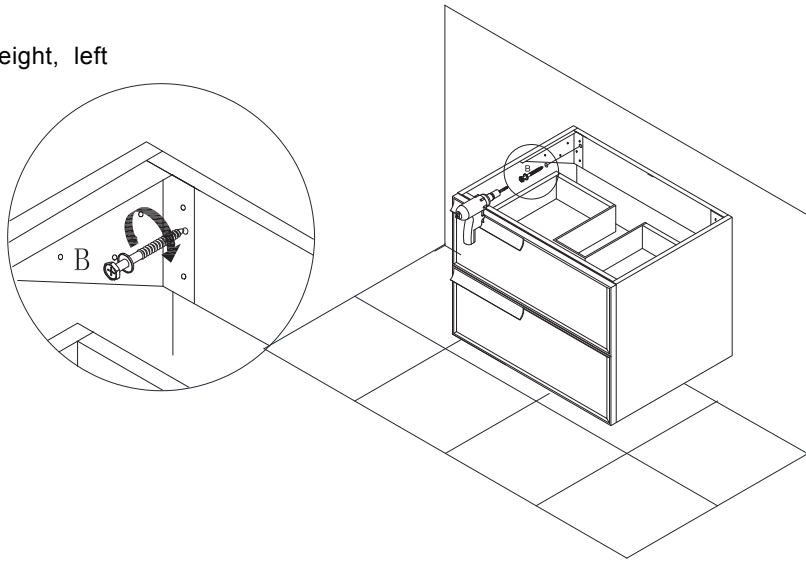


STEP 4.

Fixed Cabinet

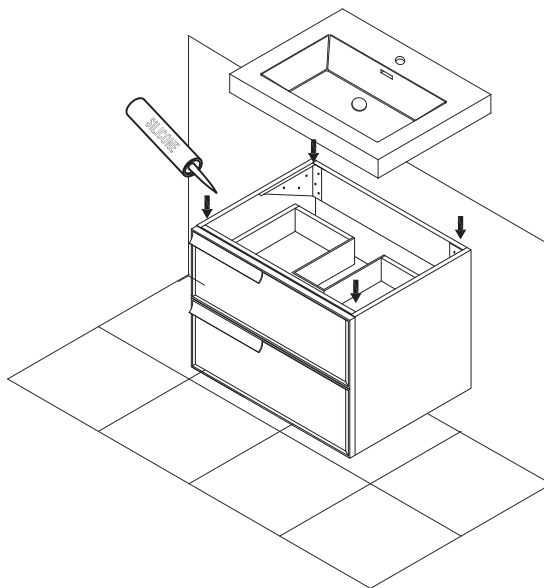
Install Lag Bolt after determined the height, left

& right position then fix the Vanity.



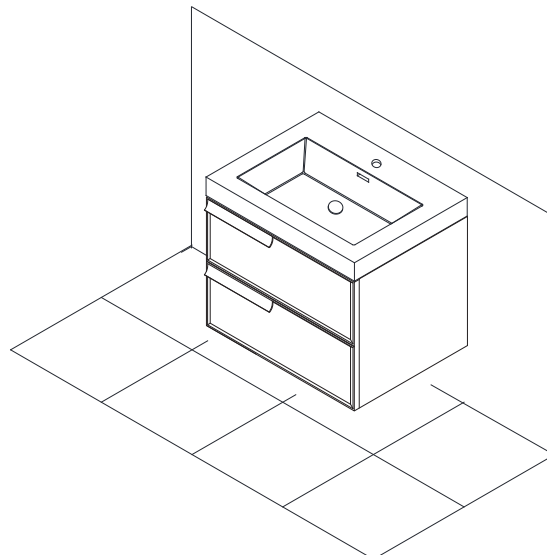
STEP 5.

Install sink top with Silicone



STEP 6.

Finish





Blossom Kitchen & Bath Supply Corporation
(718)-366-0088 | sales@BlossomUS.com | www.BlossomUS.com

For clarification, please contact us at (718)-366-0088 or sales@BlossomUS.com
All dimensions are approximate and subject to standard tolerance. Specifications subject to change without prior notice.