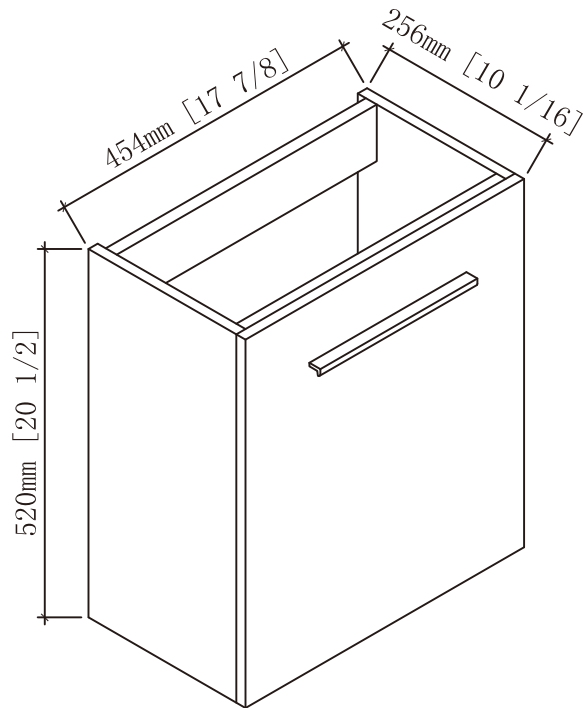




**BLOSSOM**<sup>®</sup>  
luxury ma de si mpl e



V8004-18

**[ Colmar ]**  
Series Vanities  
**Specifcation & Installation Guide**

## Features

- Modern design with high glossy paint or dark oak melamine finishes.
- Soft-closing doors .
- Compatible matching mirror, medicine cabinet or LED mirror, medicine cabinet.
- Easy installation
- Compact size fits perfectly in small bathroom, powder room and office restroom.

## Package Dimension

**18"** 20 53/64" x 13 1/32" x 23 27/64"

## Colors / Finishes

Glossy White - 01

Dark Oak - 07

## Gross Weight

**18"** 28 LBS

## Sink Top Options

### Vanities

### Ceramic basin

### Artificial stone basin

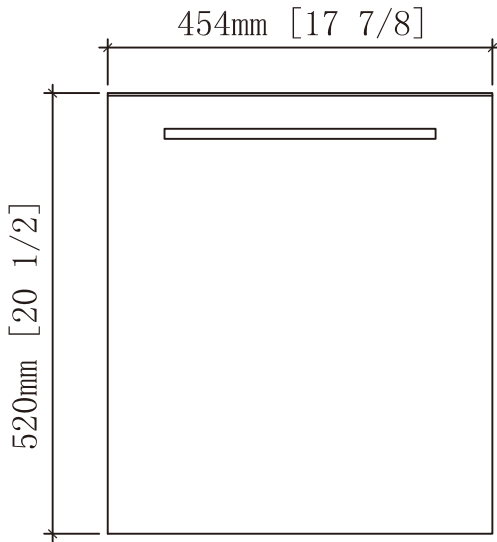
**18"**

V800418

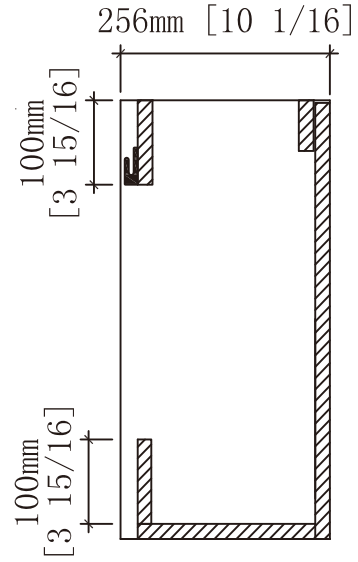
A10 1810 04

**18"**

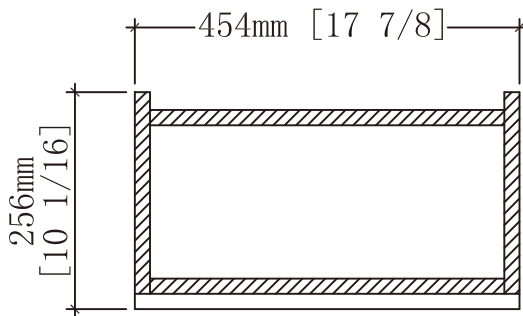
17-7/8" X 10-1/16" X 20-1/2"




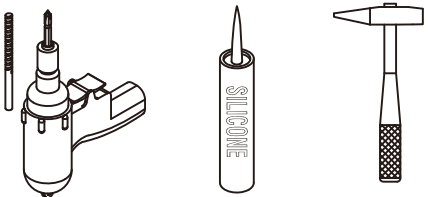


Front View



Side View

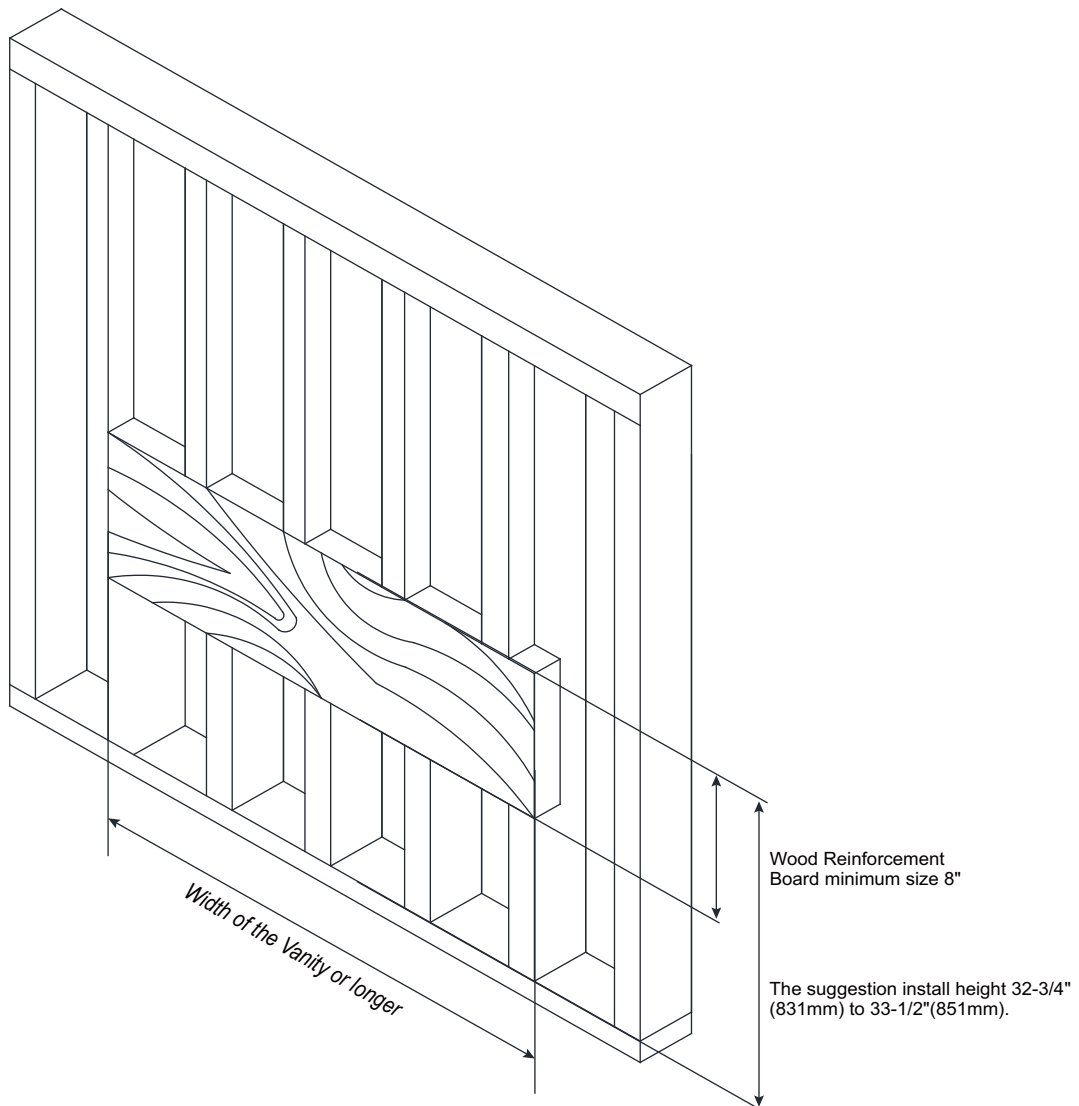


Top View

Hardware				Tools (not includes)	
No.		Draw	Qty		
A	Leveling bracket		2pcs		
B	Green rubber plug		6pcs		
C	Screw		6pcs		

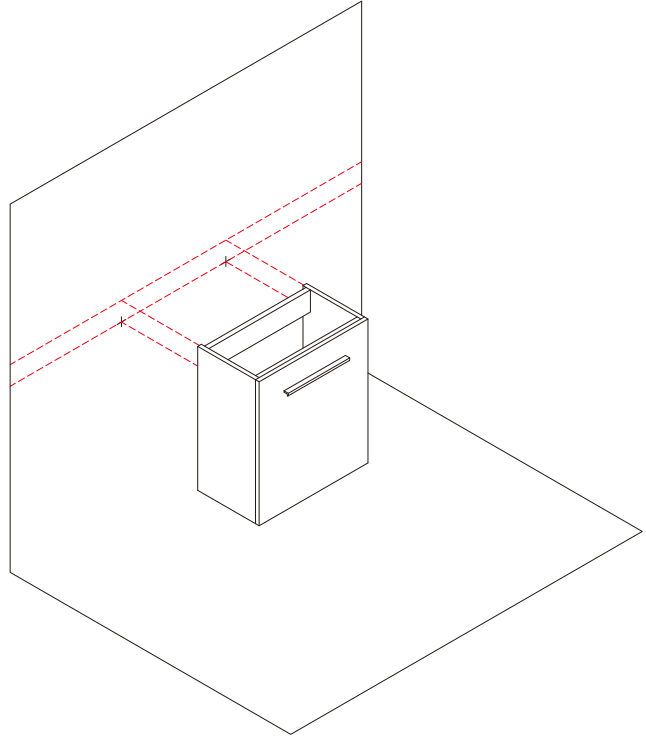
## Wall Preparation

- The typical dimensions shown will result in vanity height of 32-3/4"(831mm). If an alternate height is desired, adjust the rough-in and backing material heights using the dimensions provided.



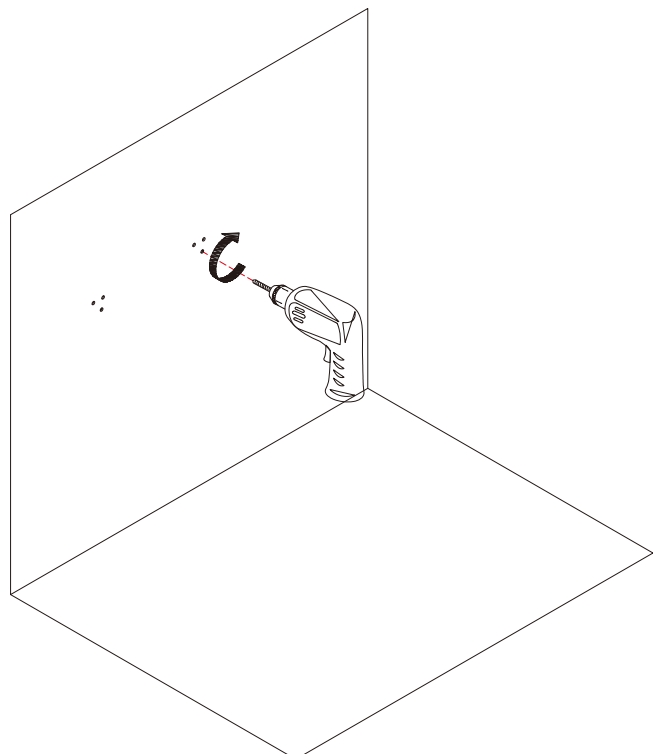
## STEP 1

Mark the pre-drilled holes with a pencil or marker after positioning the vanity.



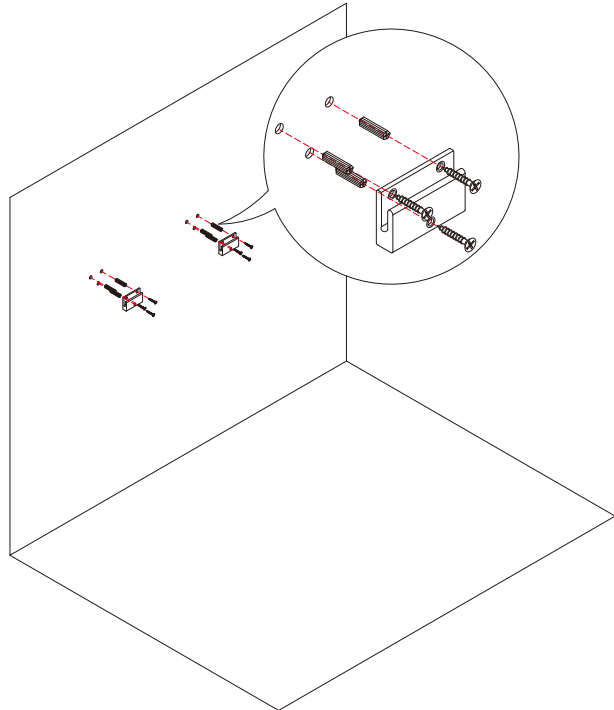
## STEP 2

Drill the holes with suitable drill-bits base on different condition of the wall.



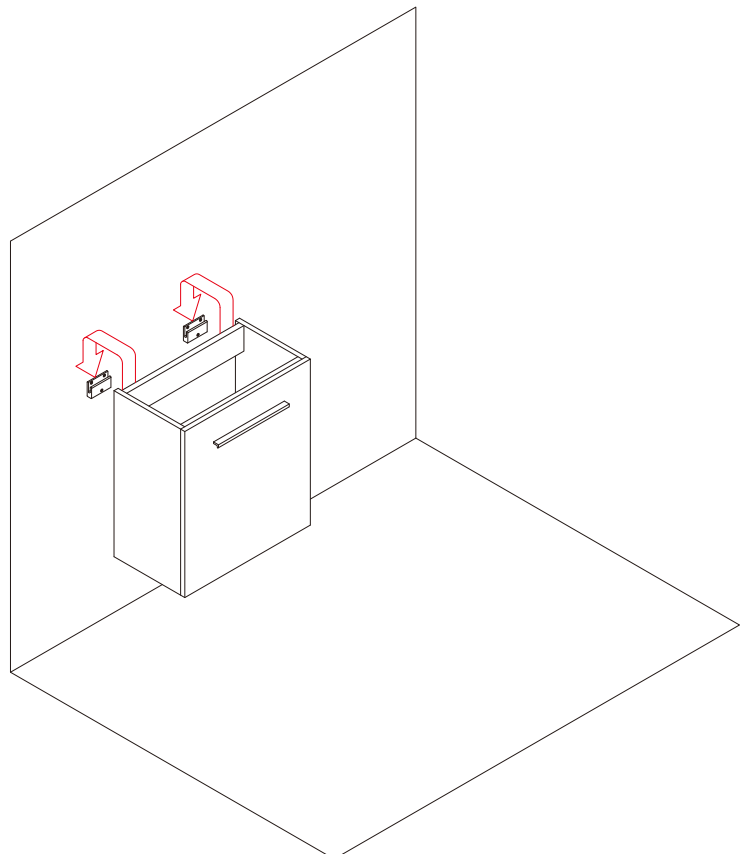
## STEP 3

Hammer in the expansion plug, secure the brackets onto the wall with screws.



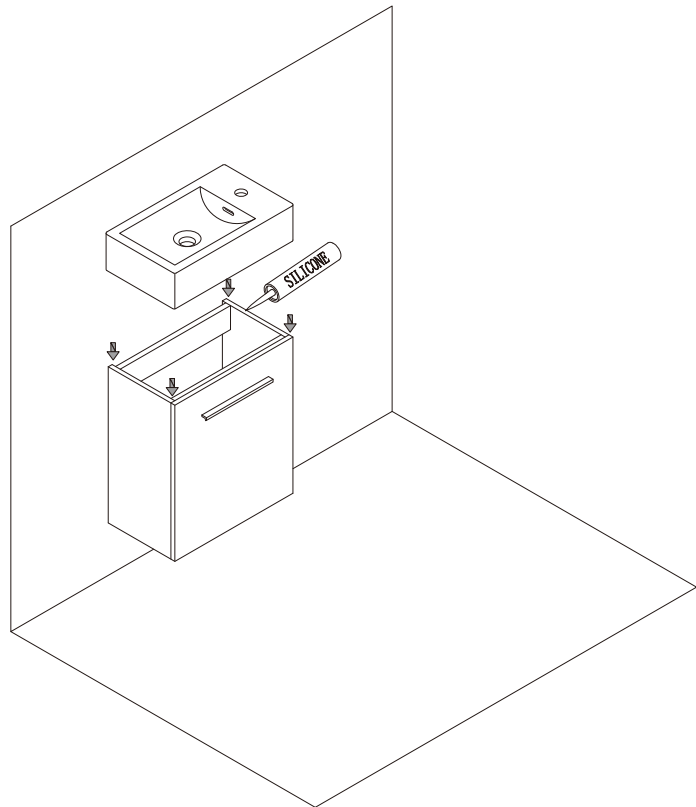
## STEP 4

Hang the accessories behind the cabinet on the leveling bracket. (As the picture shows).



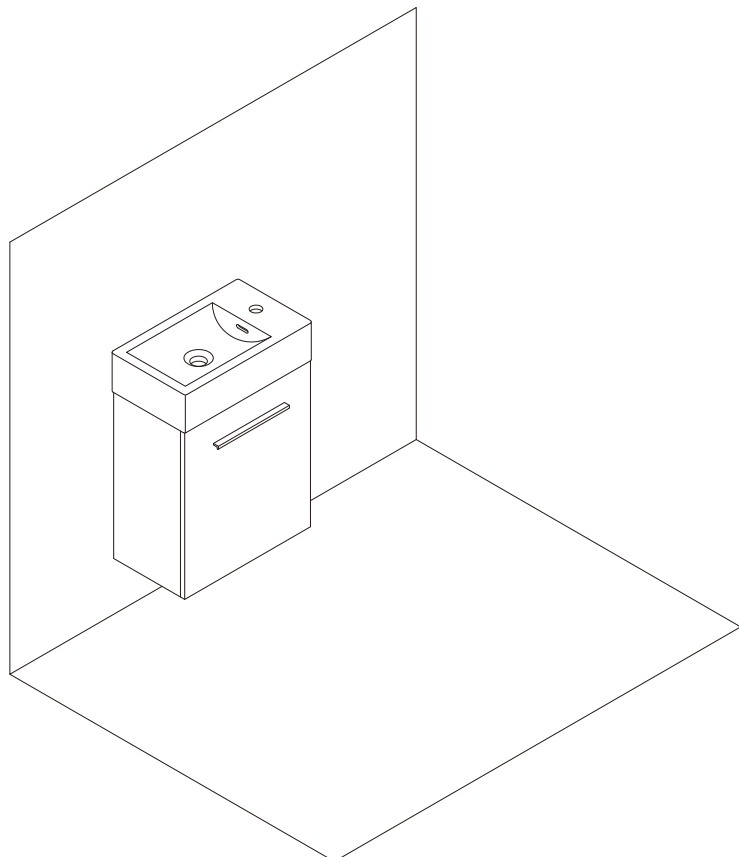
## STEP 5

Install the basin with silicone.



## STEP 6

Installation complete.



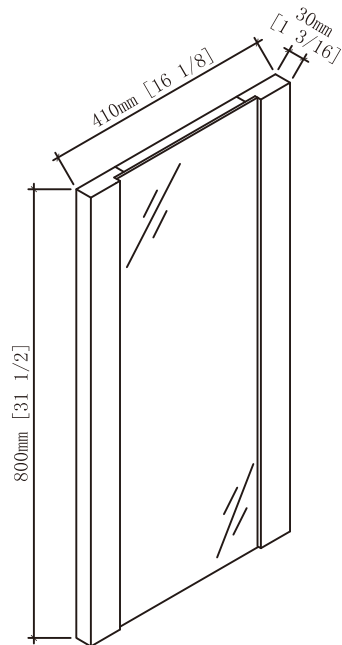


Blossom Kitchen & Bath Supply Corporation  
(718)-366-0088 | [sales@BlossomUS.com](mailto:sales@BlossomUS.com) | [www.BlossomUS.com](http://www.BlossomUS.com)

---

For clarification, please contact us at (718)-366-0088 or [sales@BlossomUS.com](mailto:sales@BlossomUS.com)  
All dimensions are approximate and subject to standard tolerance. Specifications subject to change without prior notice.





M6004-18

**[ COLMAR ]**  
Series Mirror  
**Specification & Installation Guide**

## Features

- Slidable Modern Design
- Top-grade mirror
- Easy installation.

## Package Dimension

**18"** 19-3/32" x 4-9/64" x 34-29/64"

## Colors / Finishes

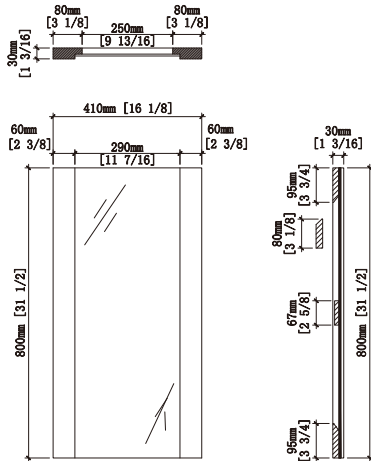
- Glossy White - 01
- Cart Oak - 06
- Dark Oak - 07
- Blue - 25

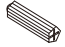
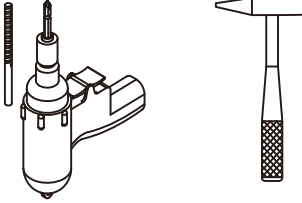

## Gross Weight

**18"** 15 LBS

**18"**

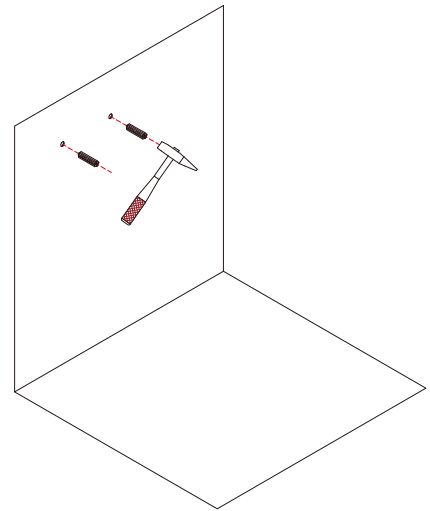
16-1/8" X 1-3/16" X 31-1/2 "



Hardware				Tools (not includes)	
No.		Draw	Qty		
A	Green rubber plug		4pcs		
B	Screw		4pcs		

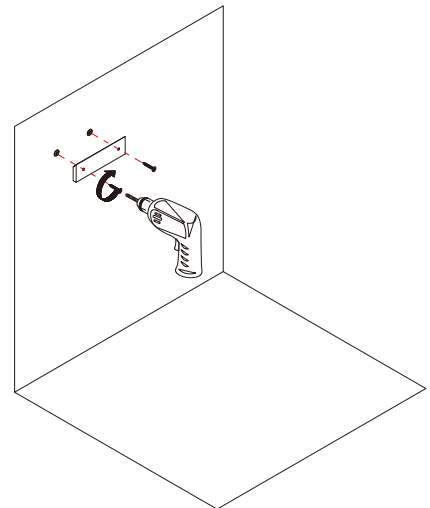
## STEP 1

1. Measure the wall-hung board and mark down the holes on the wall.
2. Drill the holes with suitable drill-bits base on different condition of the wall.
3. Use a hammer to knock the green expansion rubber plug into the hole.



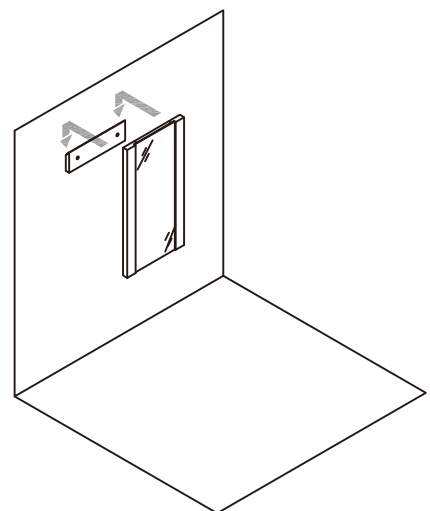
## STEP 2

Screw the 45 degree wall-hung panel onto the wall.



## STEP 3

Put up the back top panel of mirror on the 45 degree wall-hung panel .  
Finished.





Blossom Kitchen & Bath Supply Corporation  
(718)-366-0088 | sales@BlossomUS.com | www.BlossomUS.com

---

For clarification, please contact us at (718)-366-0088 or sales@BlossomUS.com  
All dimensions are approximate and subject to standard tolerance. Specifications subject to change without prior notice.