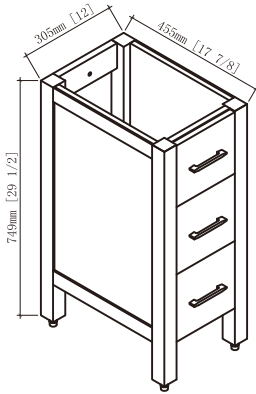


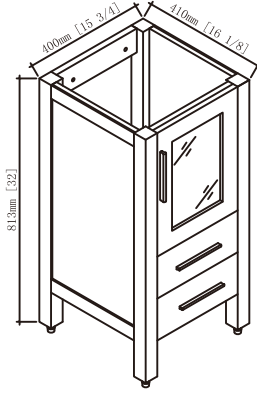


# BLOSSOM®

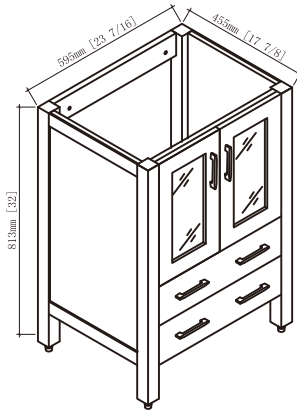
Luxury made simple



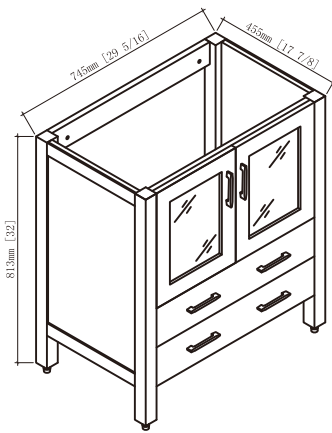
S8001-12



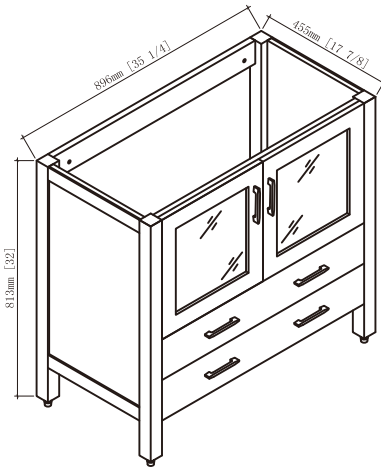
V8001-18



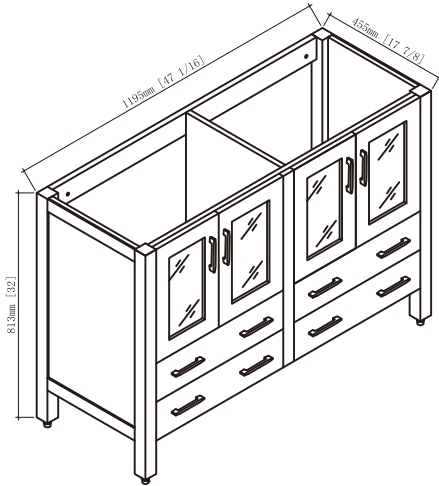
V8001-24



V8001-30



V8001-36



V8001-48

## [ SYDNEY ] Series Vanities

### Specification & Installation Guide

## Features

- Modern design with high glossy paint or espresso or metal grey melamine finishes.
- Soft-closing drawers with full extension.
- Top three drawers with U cut-out to make it easier for plumbing works.
- Compatible matching mirror, medicine cabinet or LED mirror, medicine cabinet.
- Easy installation

## Package Dimension

- 12"** 14-61/64" x 20-55/64" x 32-7/8"
- 18"** 15 3/4" x 16-1/8" x 32"
- 24"** 26-3/8" x 20-55/64" x 35-7/16"
- 30"** 38-15/64" x 20-55/64" x 35-7/16"
- 36"** 32-9/32" x 20-55/64" x 35-7/16"
- 48"** 50" x 20-55/64" x 35-7/16"

## Colors / Finishes

Glossy White - 01

Espresso - 02

Metal Grey - 15

## Gross Weight

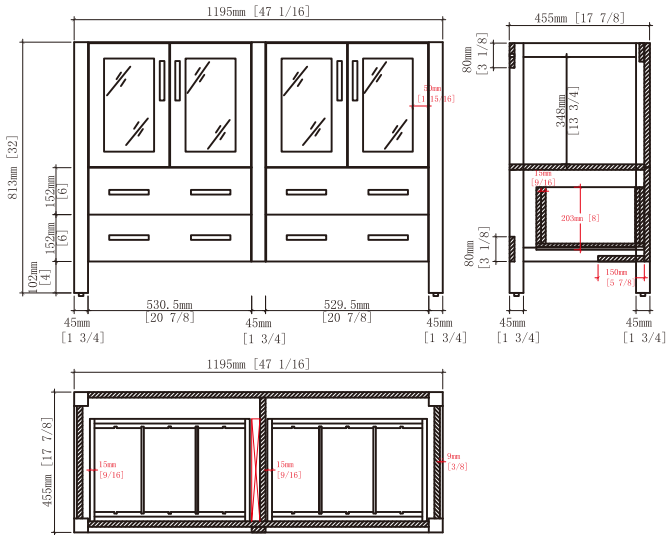
- 12"** 59.5 LBS
- 18"** 70 LBS
- 24"** 78 LBS
- 30"** 86.8 LBS
- 36"** 98 LBS
- 48"** 104.5 LBS

## Sink Top Options

	Vanities	Ceramic basin	Artificial stone basin
<b>12"</b>	S8001-12		
<b>18"</b>	V8001-18	C04 1818	A10 1818 25
<b>24"</b>	V8001-24	C04 2418	A10 2418 25
<b>30"</b>	V8001-30	C04 3018	A10 3018 25
<b>36"</b>	V8001-36	C04 3618	A10 3618 25
<b>48"</b>	V8001-48	C04 4818	A10 4818 25D

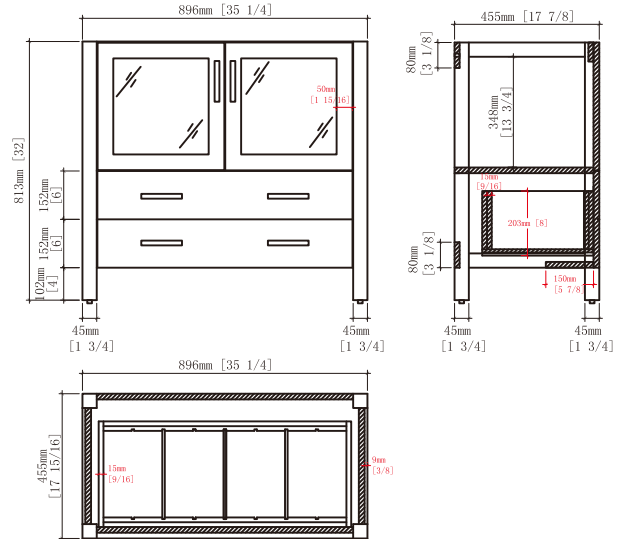
**48"**

47-1/16" X 17-7/8" X 32"



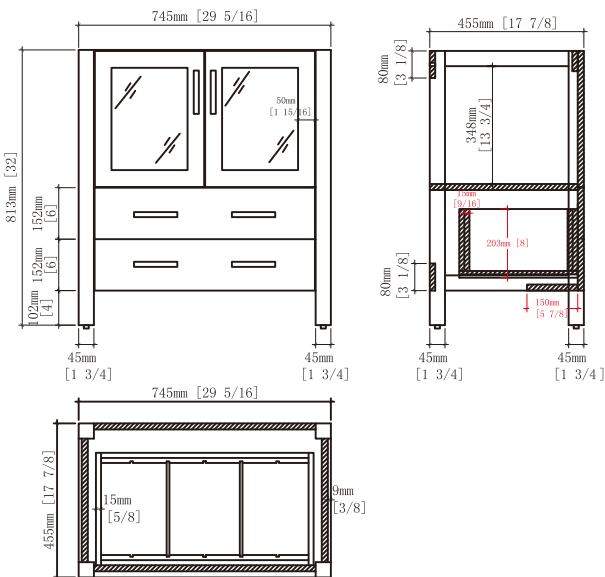
**36"**

35-1/4" X 17-7/8" X 32"



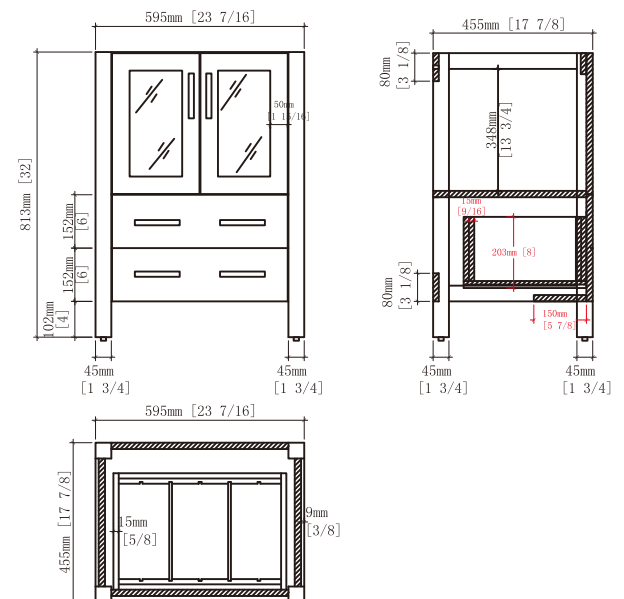
**30"**

29-5/16" X 17-7/8" X 32"



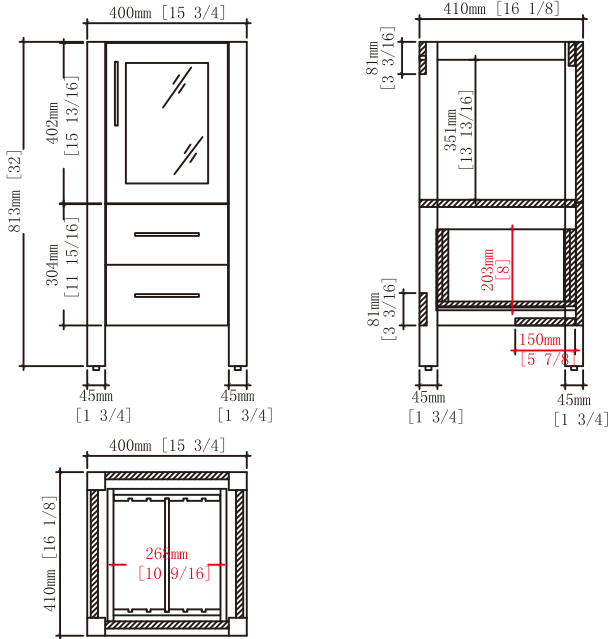
**24"**

23-7/16" X 17-7/8" X 32"



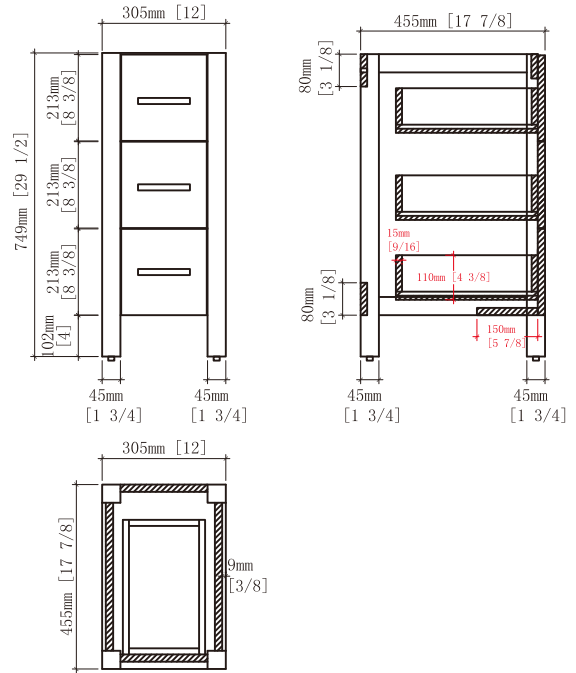
**18"**


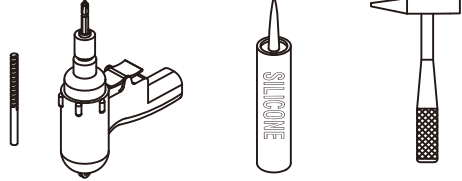

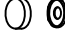
15 3/4" X 16-1/8" X 32"



**12"**

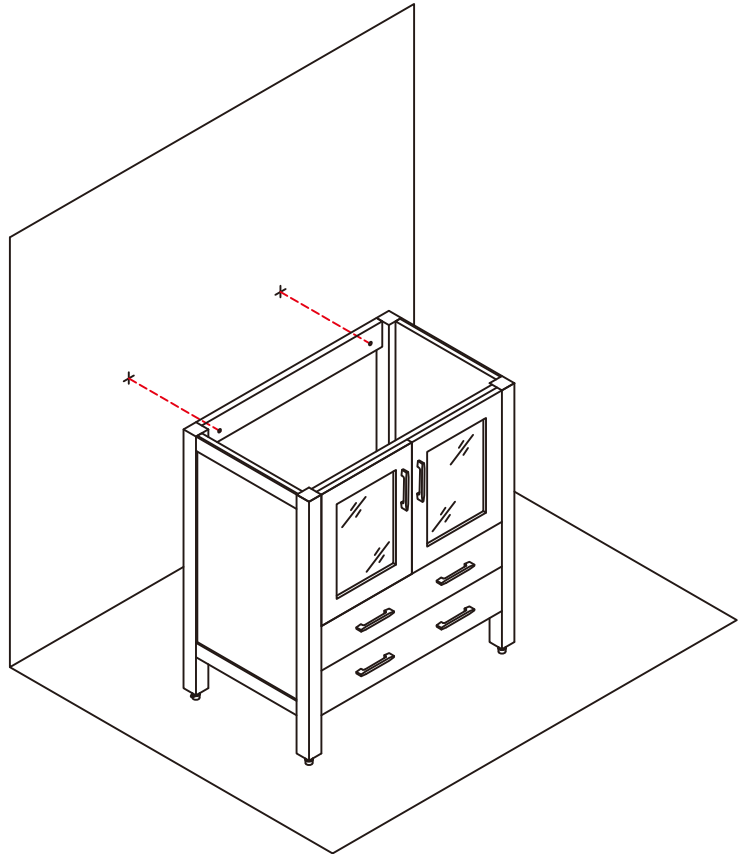
12" X 17-7/8" X 29-1/2"



Hardware				Tools (not includes)			
No.		Draw	Qty				
A	White rubber plug (Ø6mm)		2pcs				
B	Screws (Ø4 x 68mm)		2pcs				
C	Stainless steel cover		2pcs				

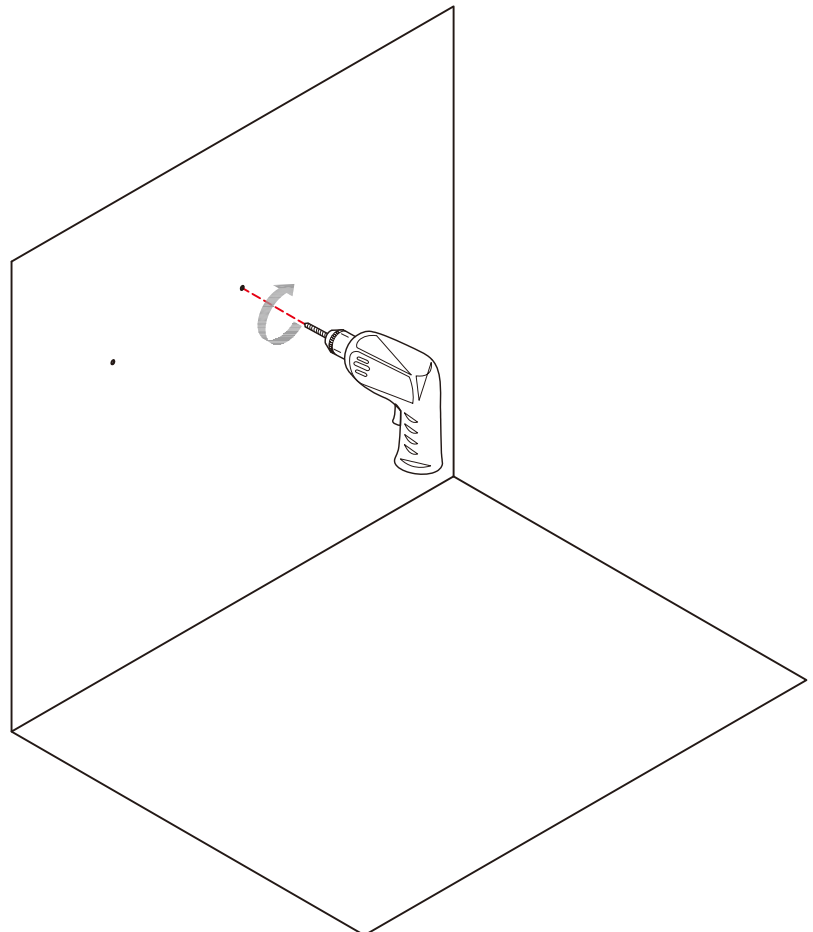
**STEP 1**

Mark the pre-drilled holes with a pencil or marker after positioning the vanity.



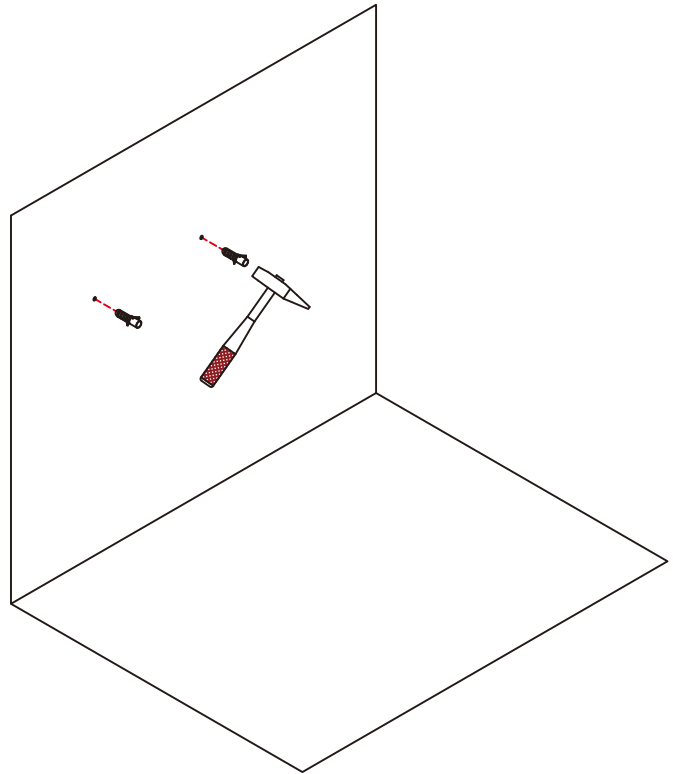
**STEP 2**

Drill the holes with suitable drill-bits base on different condition of the wall.



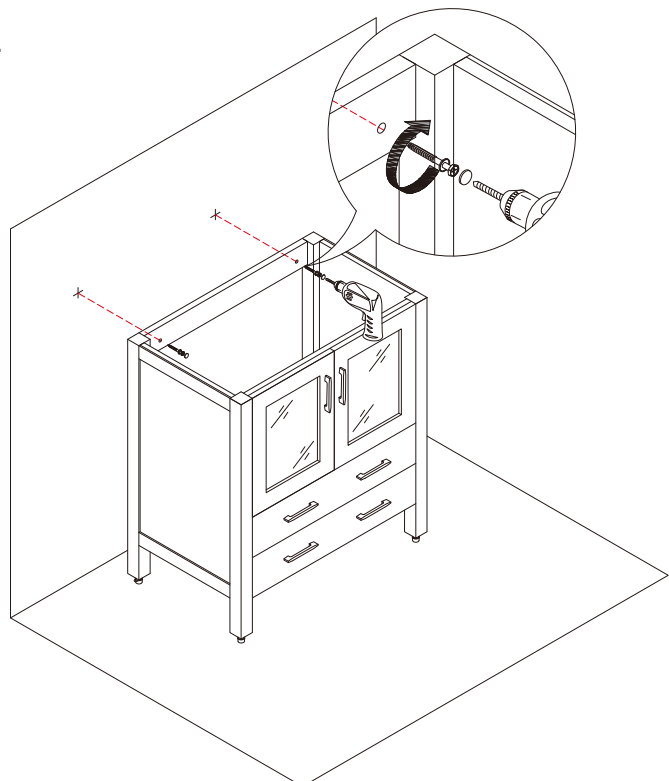
**STEP 3**

Hammer in the expansion plug.



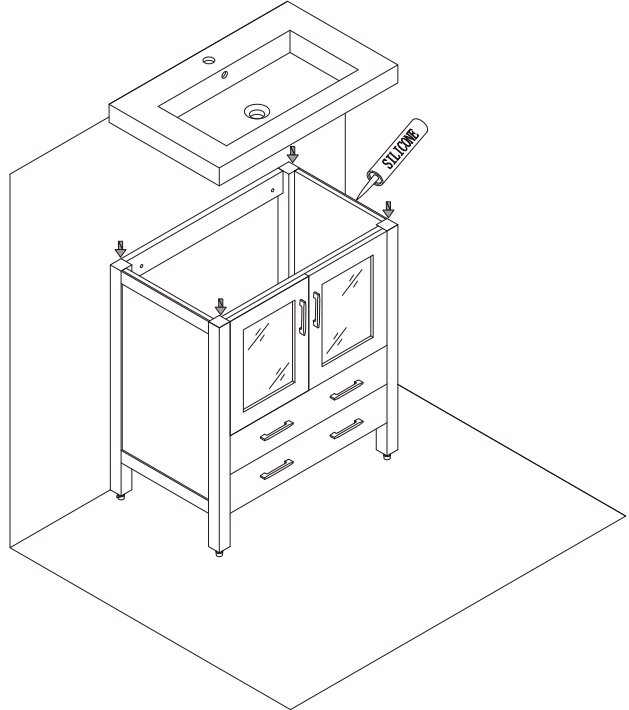
**STEP 4**

Secure the vanity onto the wall with screws.



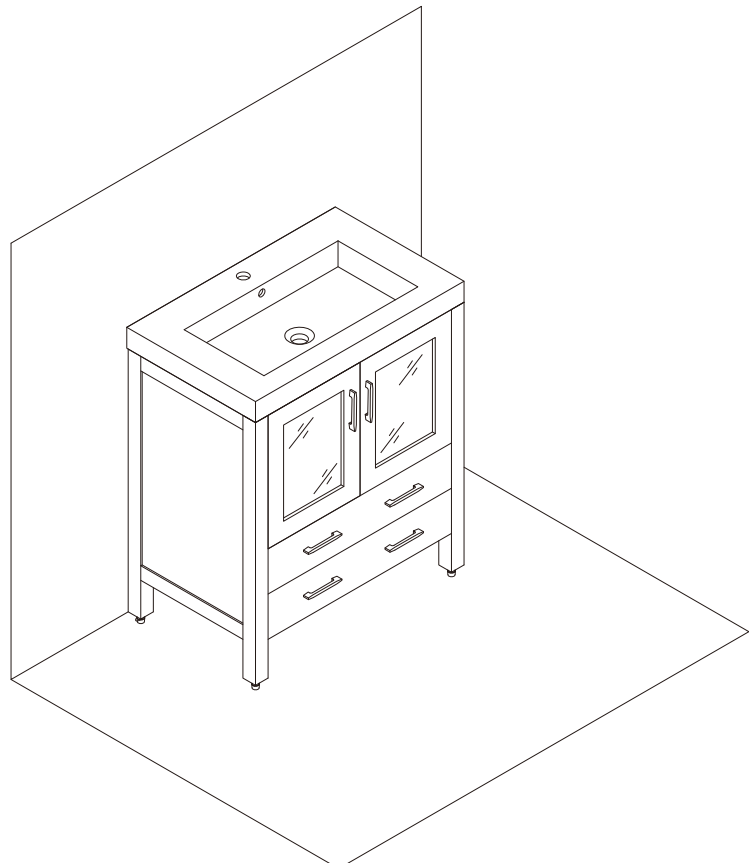
**STEP 5**

Install the basin with silicone.



**STEP 6**

Installation complete.





Blossom Kitchen & Bath Supply Corporation  
(718)-366-0088 | sales@BlossomUS.com | www.BlossomUS.com

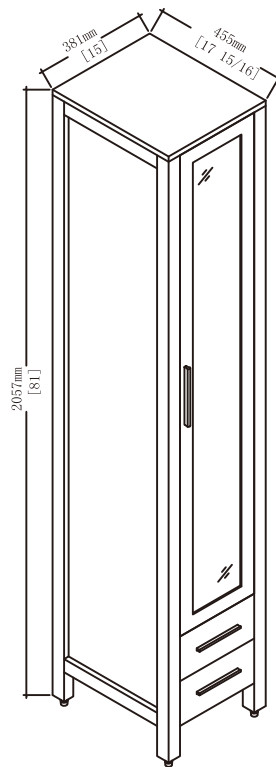
---

For clarification, please contact us at (718)-366-0088 or sales@BlossomUS.com  
All dimensions are approximate and subject to standard tolerance. Specifications subject to change without prior notice.





**BLOSSOM**<sup>®</sup>  
luxury made simple



V8001-15

[ **SYDNEY** ]  
Series Vanities  
**Specification & Installation Guide**

## Features

- Modern design with high glossy paint or espresso or metal grey melamine finishes.
- Soft-closing drawers with full extension.
- Easy installation

## Package Dimension

**15"** 17-61/64" x 20-55/64" x 83-15/16"

## Colors / Finishes

Glossy White - 01

Espresso - 02

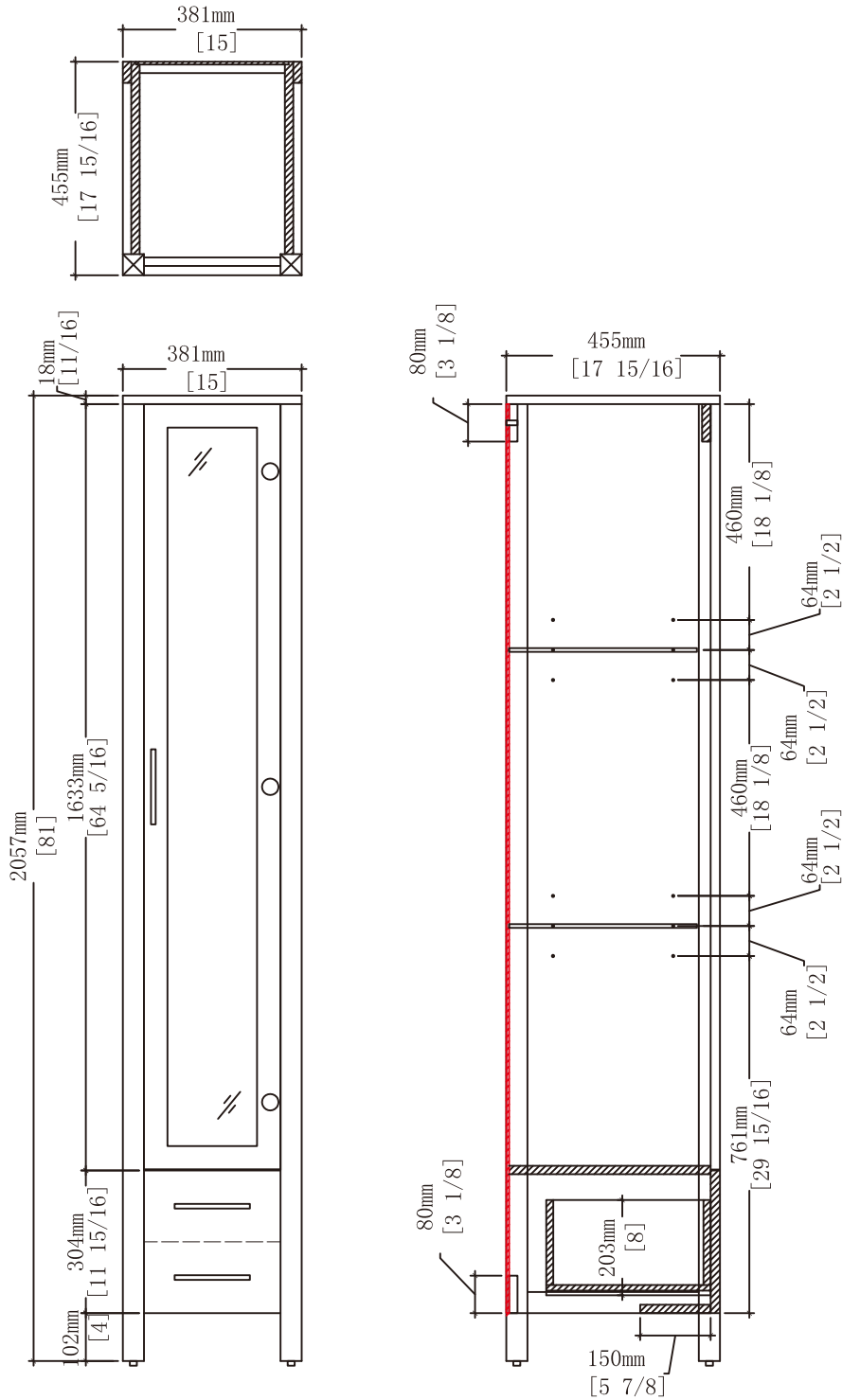
Metal Grey - 15


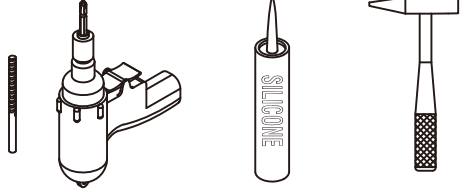

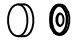
## Gross Weight

**15"** 136 LBS

**15"**

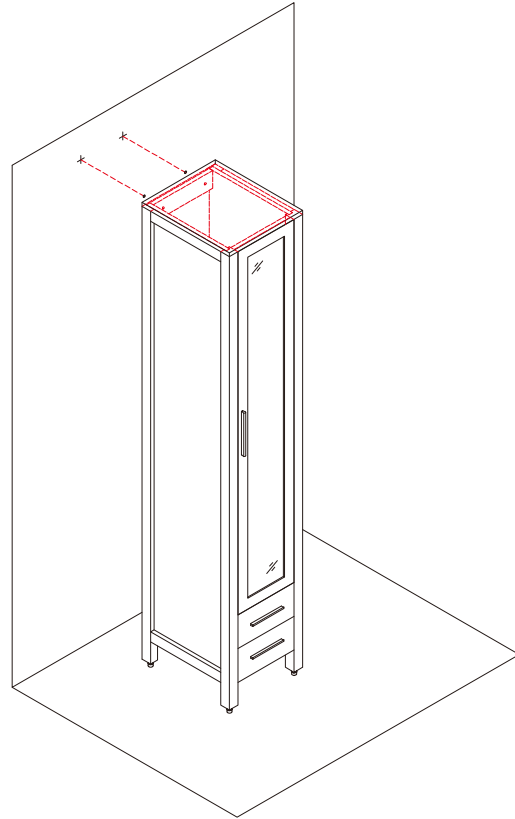
15" X 17-15/16" X 81"



Hardware				Tools (not includes)	
No.		Draw	Qty		
A	White rubber plug (Ø6mm)		2pcs		
B	Screws (Ø4 x 68mm)		2pcs		
C	Stainless steel cover		2pcs		

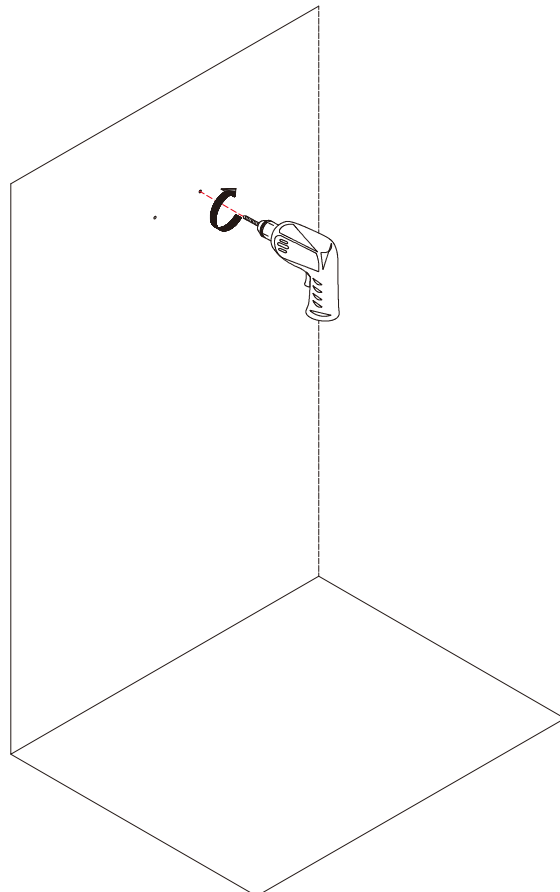
**STEP 1**

Mark the pre-drilled holes with a pencil or marker after positioning the vanity.



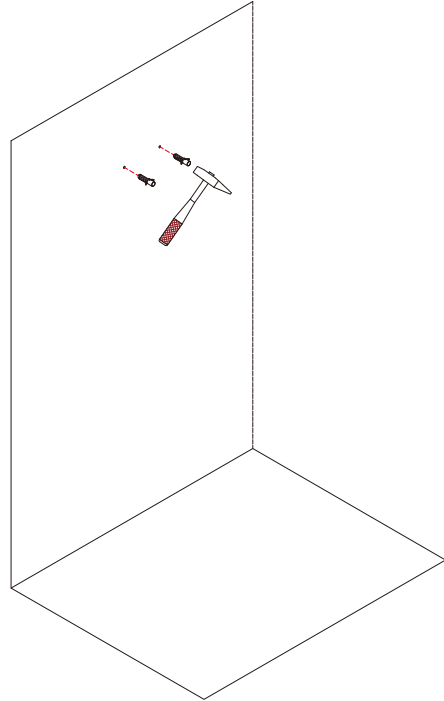
**STEP 2**

Drill the holes with suitable drill-bits base on different condition of the wall.



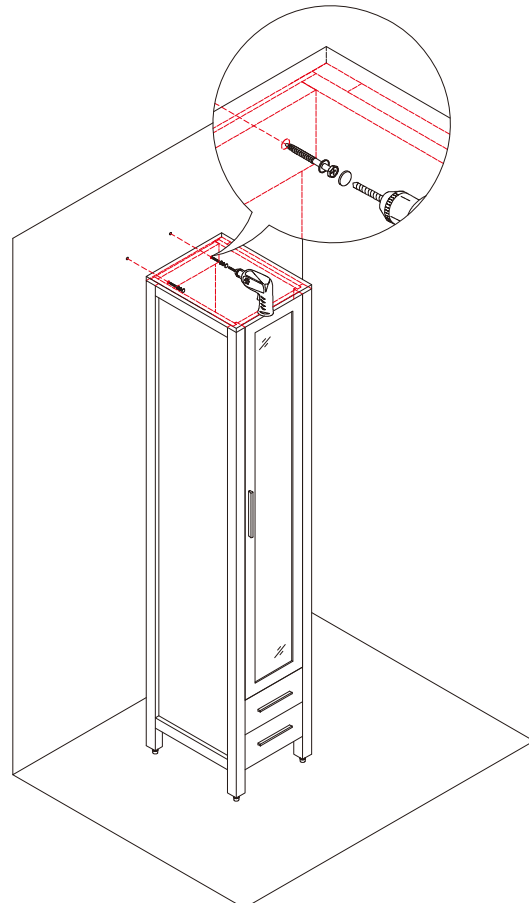
**STEP 3**

Hammer in the expansion plug.



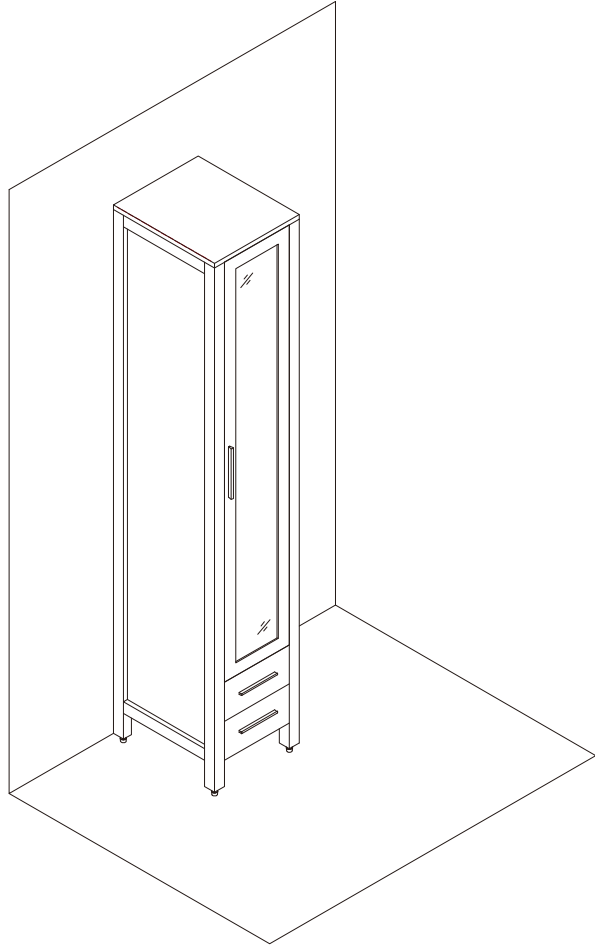
**STEP 4**

Secure the vanity onto the wall with screws.



**STEP 5**

Installation complete.





Blossom Kitchen & Bath Supply Corporation  
(718)-366-0088 | sales@BlossomUS.com | www.BlossomUS.com

---

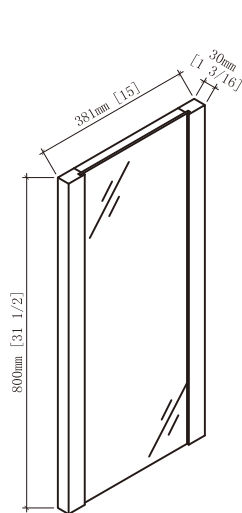
For clarification, please contact us at (718)-366-0088 or sales@BlossomUS.com  
All dimensions are approximate and subject to standard tolerance. Specifications subject to change without prior notice.



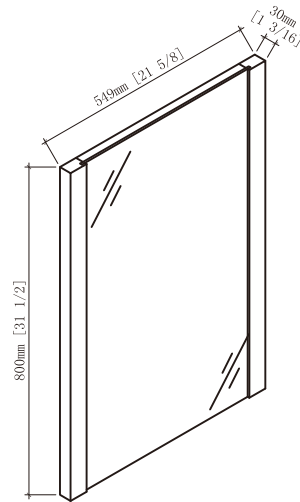


# BLOSSOM®

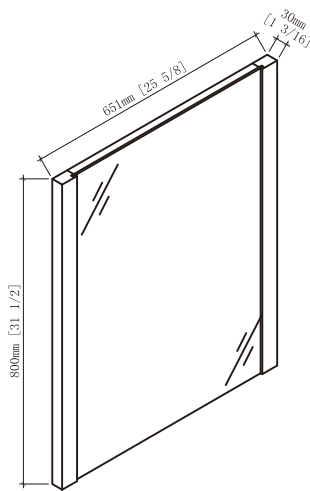
luxury made simple



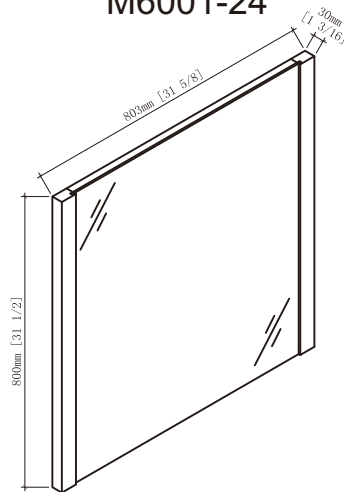
M6001-18



M6001-24



M6001-30



M6001-36

## [ SYDNEY ] Series Mirror

### Specification & Installation Guide

## Features

- Slidable Modern Design
- Top-grade mirror
- Easy installation.

## Colors / Finishes

Glossy White - 01

Espresso - 02

Metal Grey - 15

## Package Dimension

**18"** 17-15/16" x 3-47/64" x 34-29/64"

**24"** 24-39/64" x 3-47/64" x 34-29/64"

**30"** 28-35/64" x 3-47/64" x 34-29/64"

**36"** 34-29/64" x 3-47/64" x 34-29/64"

## Gross Weight

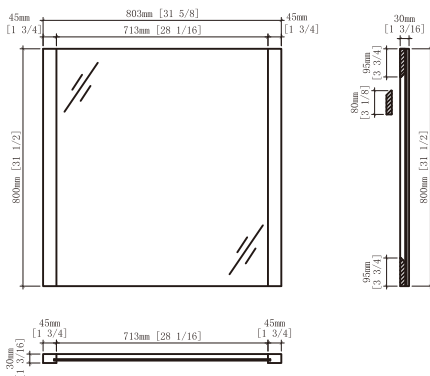
**18"** 15 LBS

**24"** 17 LBS

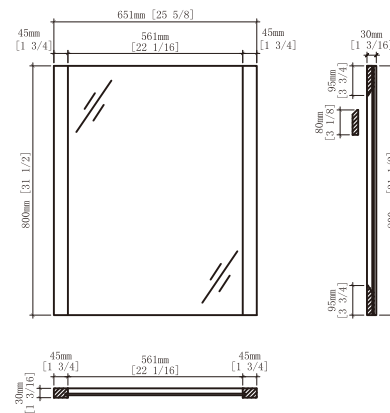
**30"** 19 LBS

**36"** 24 LBS

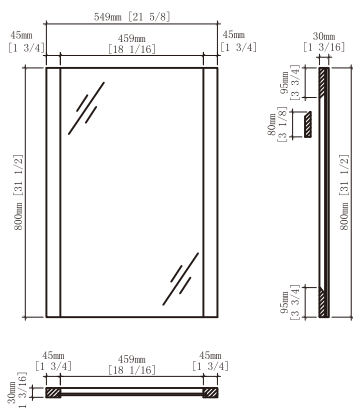
### 36" 31-5/8" X 1-3/16" X 31-1/2"



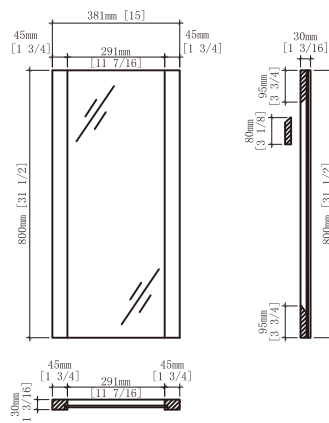
### 30" 25-5/8" X 1-3/16" X 31-1/2"


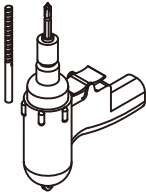

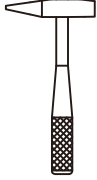



### 24" 21-5/8" X 1-3/16" X 31-1/2"



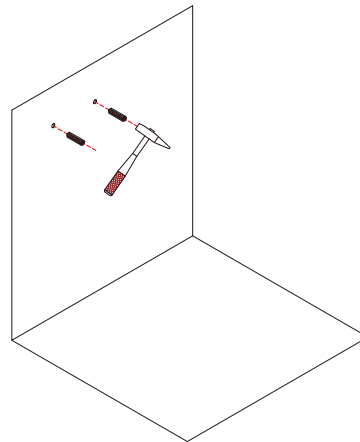
### 18" 15" X 1-3/16" X 31-1/2"



Hardware				Tools (not includes)		
No.		Draw	Qty			
A	Green rubber plug		4pcs			
B	Screw		4pcs			

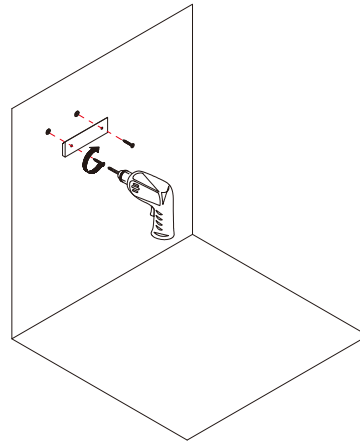
### STEP 1

1. Measure the wall-hung board and mark down the holes on the wall.
2. Drill the holes with suitable drill-bits base on different condition of the wall.
3. Use a hammer to knock the green expansion rubber plug into the hole.



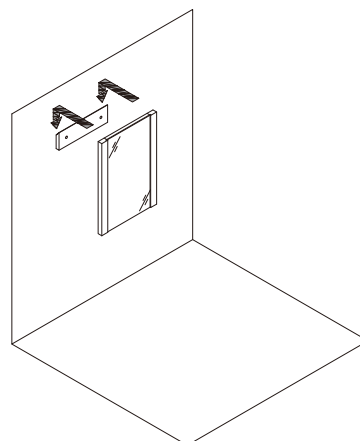
### STEP 2

Screw the 45 degree wall-hung panel onto the wall.



### STEP 3

Put up the back top panel of mirror on the 45 degree wall-hung panel .  
Finished.





Blossom Kitchen & Bath Supply Corporation  
(718)-366-0088 | [sales@BlossomUS.com](mailto:sales@BlossomUS.com) | [www.BlossomUS.com](http://www.BlossomUS.com)

---

For clarification, please contact us at (718)-366-0088 or [sales@BlossomUS.com](mailto:sales@BlossomUS.com)  
All dimensions are approximate and subject to standard tolerance. Specifications subject to change without prior notice.